



"The Washdown Champion"

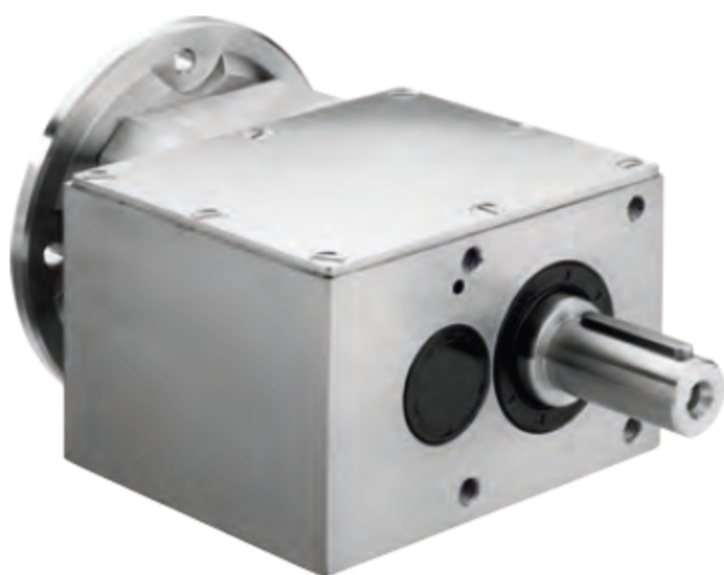
Stallion Stainless Steel Gearboxes

Stainless Steel Worm Gearboxes

Worm gearboxes



Coaxial gearboxes



**Stainless steel
motors**

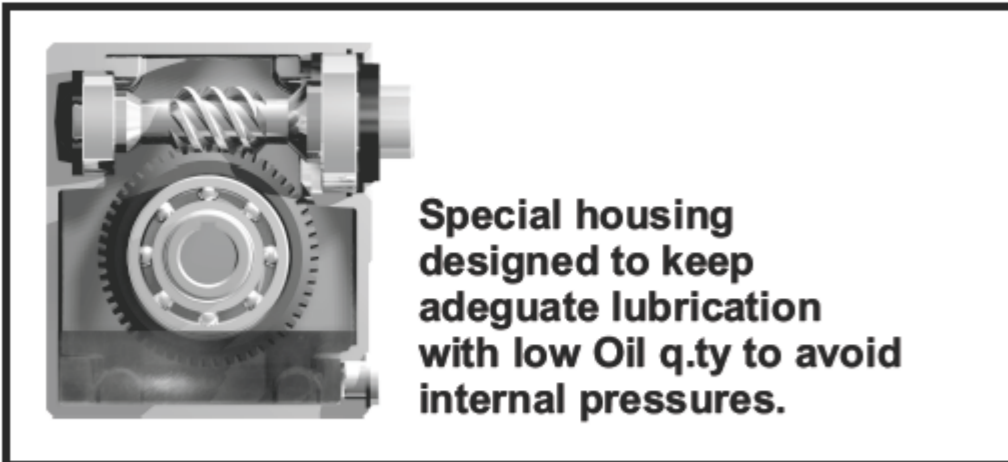


Made in Italy

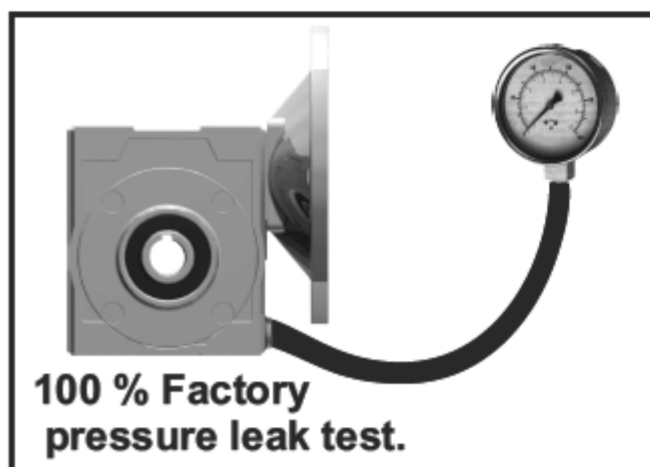
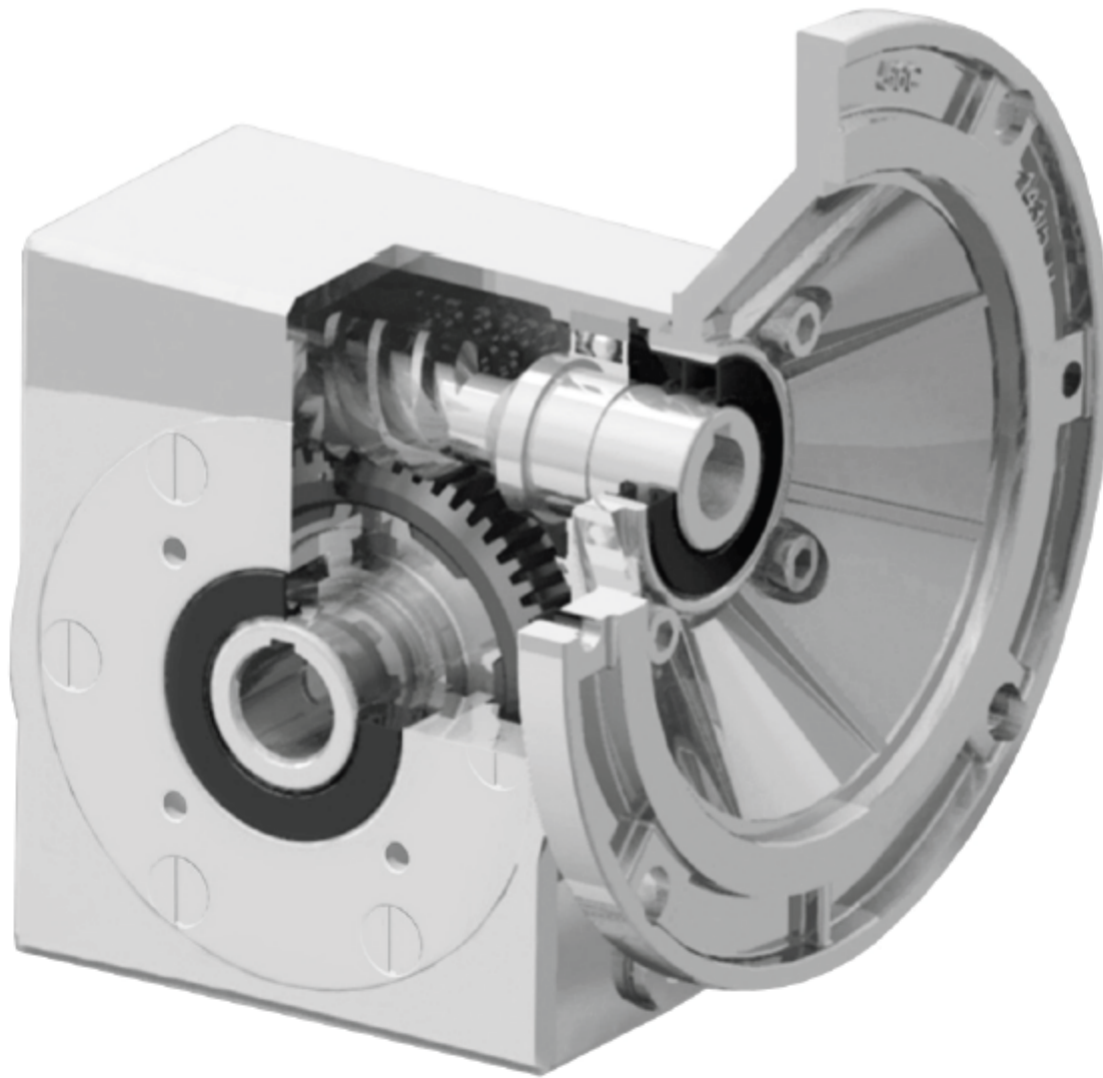


Stainlesssteel Gears I30 ÷ I11

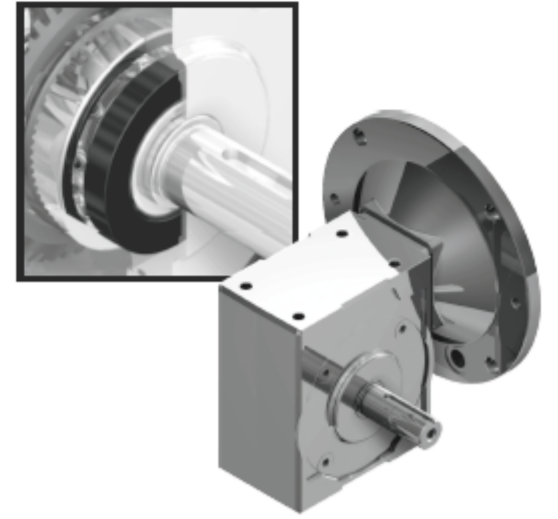
STANDARD FEATURES



Life lubricated fully synthetic oil

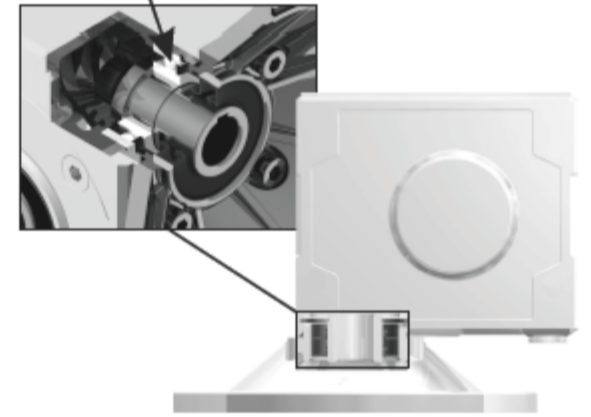


OPTIONS



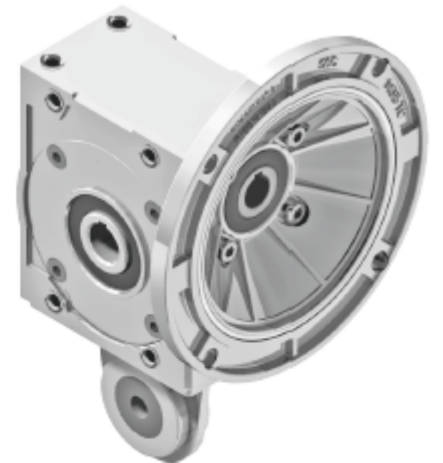
Protective seals cup to stand high pressure cleaning for hollow or extended shaft version.

Second Bearing



Standard second bearing on motor flange side and two oil seals with vertical motor position.

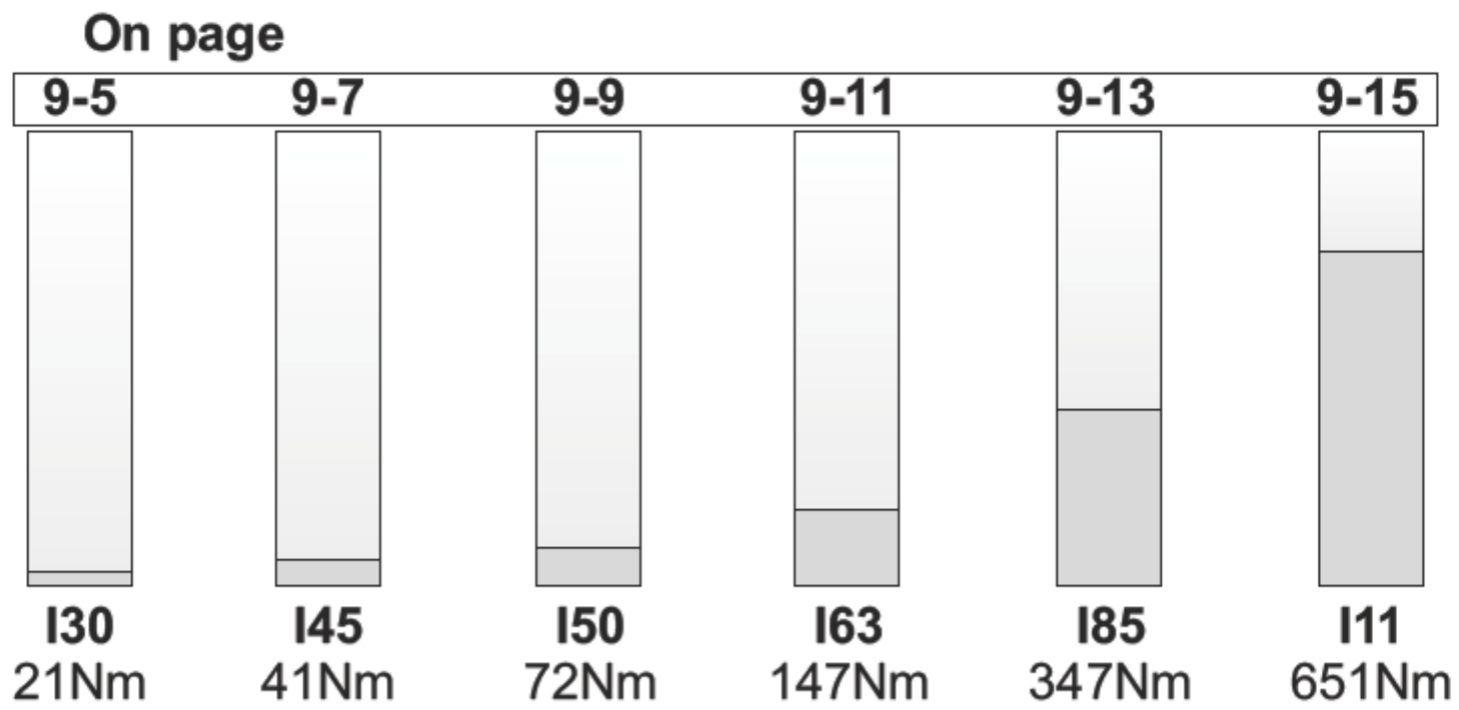
TORQUE ARM



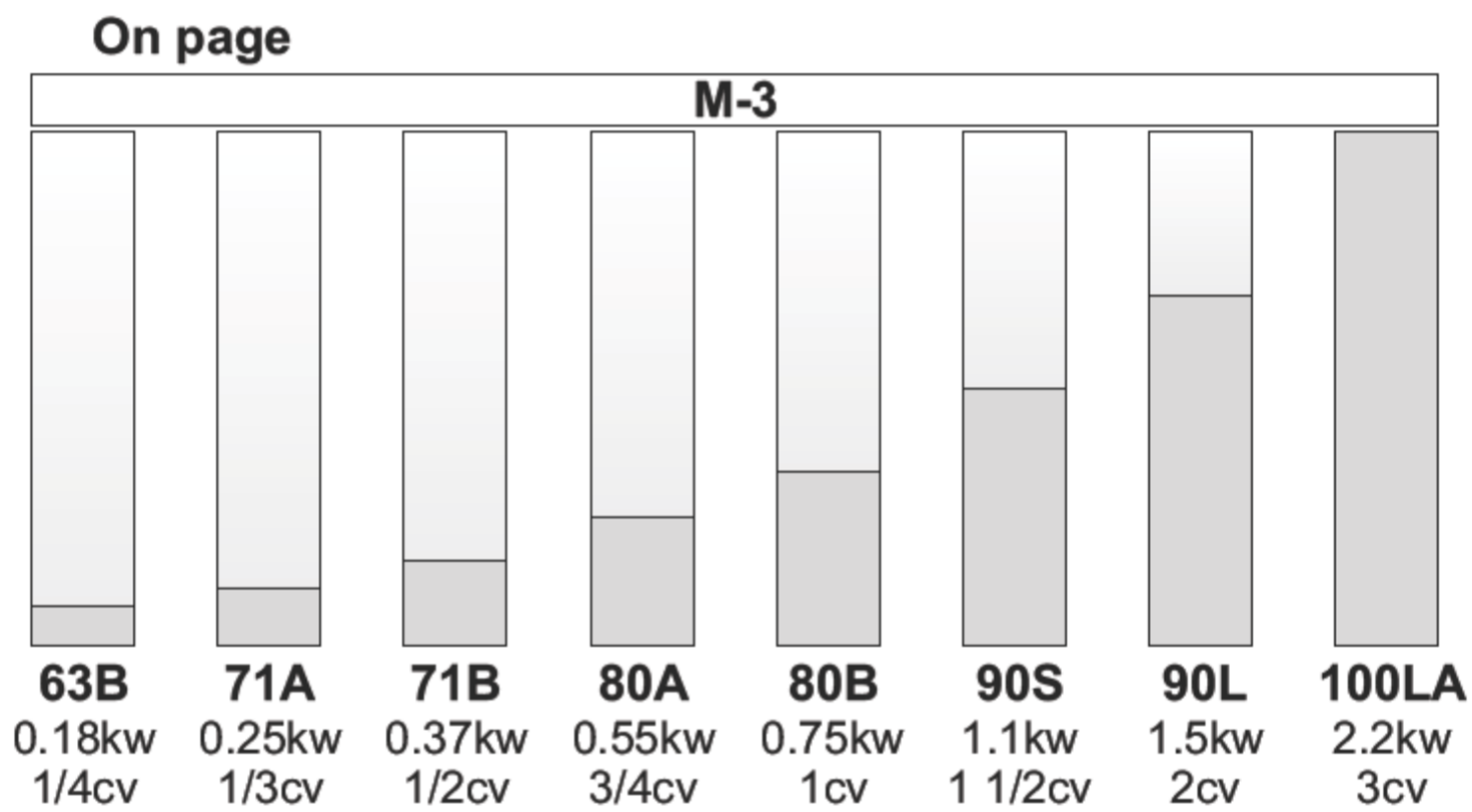
Specific type datasheet on page...



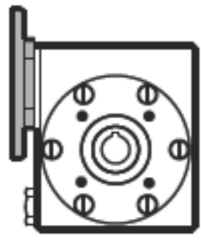
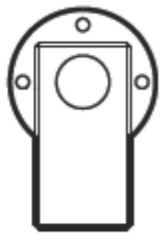
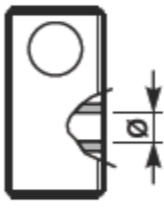
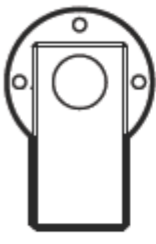
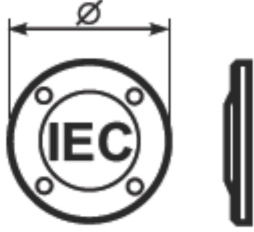
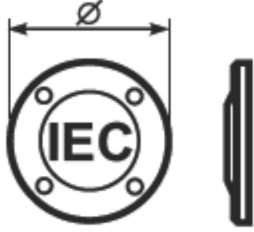
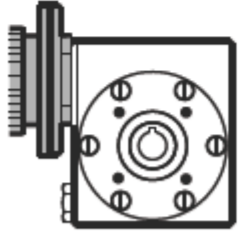
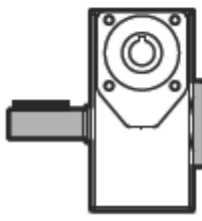
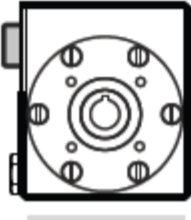
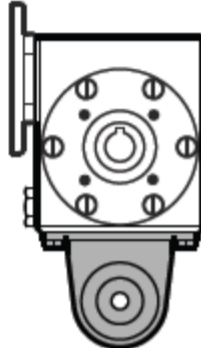
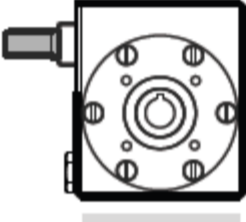
Types →



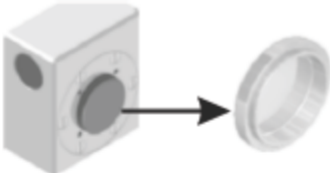
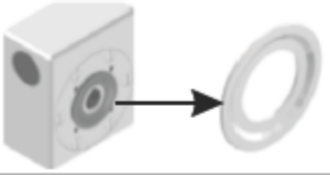
Types →



HOW TO ORDER

Type	Size	Mounting	Ratio	Hub M e o	Output shaft	Motor size
P	I45	UN	10	I	S	-Q
	I30 I45 I50 I63 I85 I11		See technical data table			
P		UN		I	Ø	
		FL		STANDARD		
M					I30 ⇒ ø14 I45 ⇒ ø18 I50 ⇒ ø25 I63 ⇒ ø25 I85 ⇒ ø35 I11 ⇒ ø42	S
		BR			Z	
B	Full stainless steel Torque arm	INCH	I45 ⇒ ø0.750" I50 ⇒ ø1.000" I63 ⇒ ø1.125" I85 ⇒ ø1.500" I11 ⇒ ø2.000"			
						I30 -O -P -W 56B14 (ø80) 63B14 (ø90) 56C (ø6.5")
R						I45 -P -Q -W 63B14 (ø90) 71B14 (ø105) 56C (ø6.5")
						I50 -P -Q -R -W 63B14 (ø90) 71B14 (ø105) 80B14 (ø120) 56C (ø6.5")
						I63 -Q -R -T -W -X 71B14 (ø105) 80B14 (ø120) 90B14 (ø140) 56C (ø6.5") 143/5TC (ø6.5")
						I85 -D -E -U -W -X -Y 80B5 (ø200) 90B5 (ø200) 100-112B14 (ø160) 56C (ø6.5") 143/5TC (ø6.5") 182/4TC (ø8.88")
						I11 -D -E -U -X -Y AA 80B5 (ø200) 90B5 (ø200) 100-112B14 (ø160) 143/5TC (ø6.5") 182/4TC (ø8.88") 213/5TC (ø8.88")

On request

A	Protective seals cup CLOSE TYPE	
B	Protective seals cup OPEN TYPE	
C	Food lube	
D	Nema input flanges	

-M
without flange

-O
Type R



On request we can deliver our products according to the ATEX

USEFUL FORMULAS

REQUIRED POWER

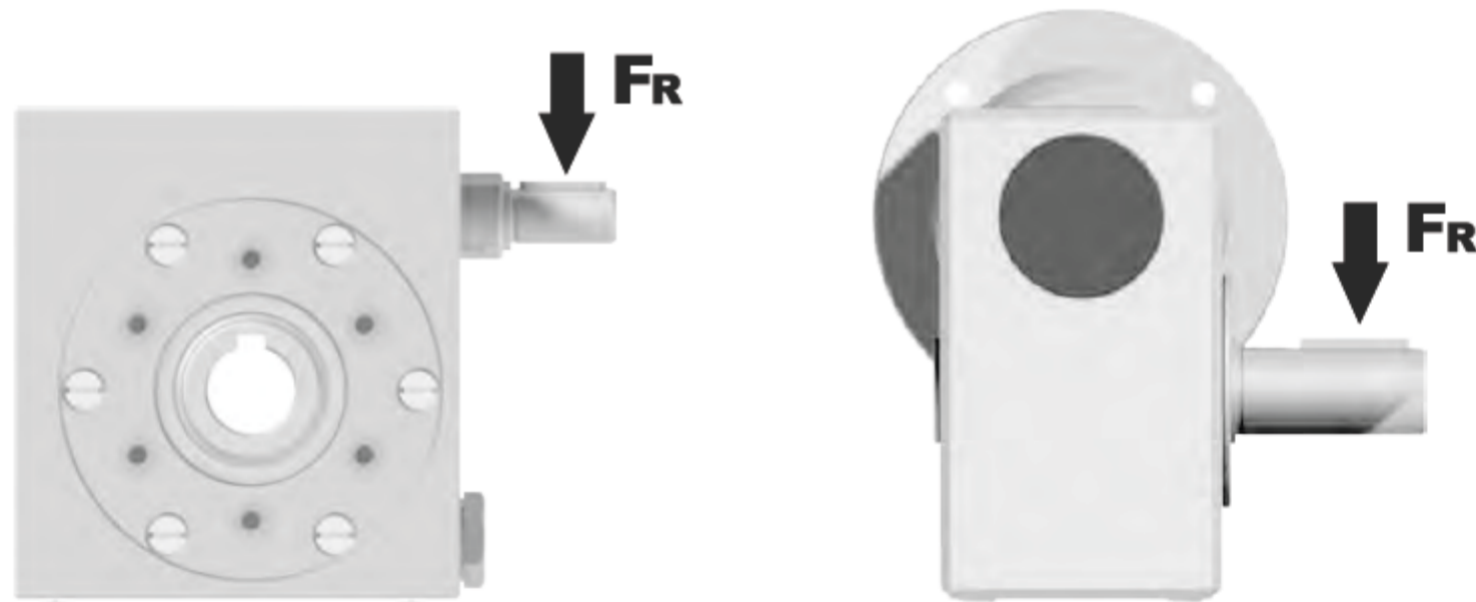
Lifting	$P \text{ [KW]} = \frac{M \text{ [Kg]} \cdot g \text{ [9.81]} \cdot v \text{ [m / s]}}{1000}$
Rotation	$P \text{ [KW]} = \frac{M \text{ [Nm]} \cdot n \text{ [rpm]}}{9550}$
Linear movement	$P \text{ [KW]} = \frac{F \text{ [N]} \cdot v \text{ [m/s]}}{1000}$

TORQUE

	$M \text{ [Nm]} = \frac{9550 \cdot P \text{ [KW]}}{n \text{ [rpm]}}$
	$M \text{ [lb in]} = \frac{63030 \cdot P \text{ [HP]}}{n \text{ [rpm]}}$

RADIAL LOADS

- Radial load generated by external transmissions keyed onto input and/or output shafts.



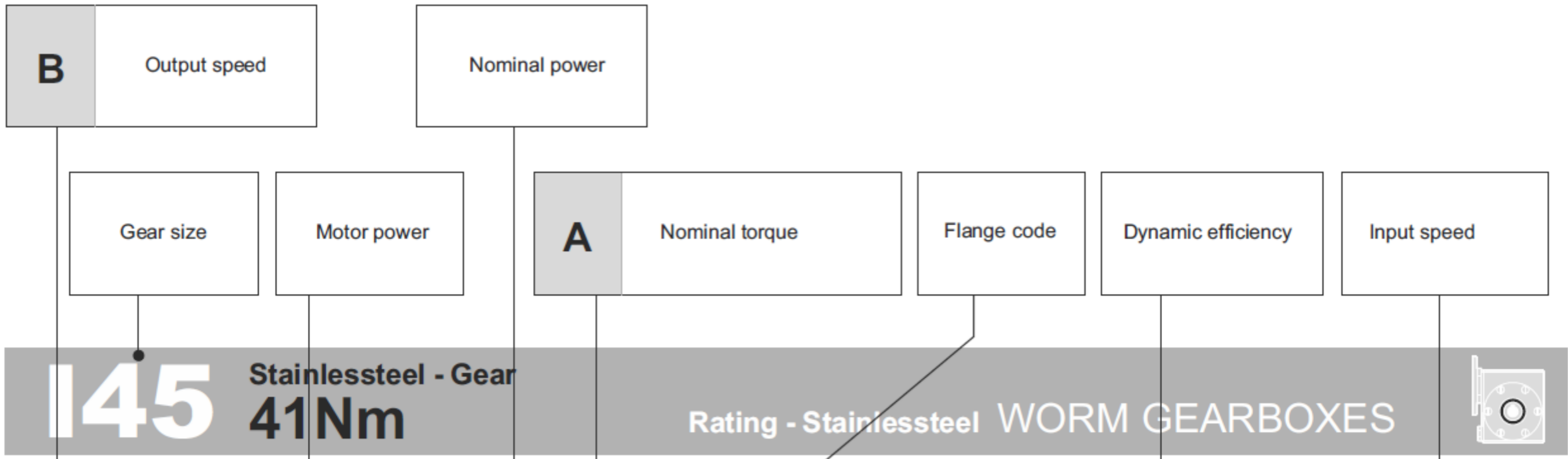
$$F_R \text{ [N]} = \frac{M \text{ [Nm]} \cdot 2000}{d \text{ [mm]}} \cdot f_k$$

$$F_R \text{ [N]} = \frac{M \text{ [lb in]} \cdot 8.9}{d \text{ [in]}} \cdot f_k$$

M	Output torque
d	Diam. of driving element
f_k	Coefficient factor 1.15 Gear wheels 1.25 Chain sprochets 1.75 Narrow V-belt pulley 2.50 Flat belt pulley

— If your application requires higher radial loads, contact our technical office. Higher load may be possible.

How to select a gearbox



QUICK SELECTION input speed (n_1) = 1400 min⁻¹

Output Speed n_2 [min ⁻¹]	Ratio i	Motor power P_{1M} [kW]	Output torque M_{2M} [Nm]	Service factor f.s.	Nominal power P_{1R} [kW]	Nominal torque M_{2R} [Nm]	B5 motor flanges not available		Available B14 motor flanges		Dynamic efficiency	Tooth Module [mm]	Ratios code
							-	-	P	Q			
200	7	0.37	14	2.2	0.80	30	-	-	63	71	RD		
140	10	0.37	20	1.5	0.57	30	-	-	B-C		80	2.2	01
100	14	0.37	27	1.1	0.41	30	-	-	B-C		79	2.2	02
									B-C		77	2.4	03



fs

Type of load and starts per hour		Oper. hours per day		
		<2 h	2 - 8 h	8 - 16 h
Continuous or intermittent appl. with start / hour ≤ 10	Uniform	0.9	1	1.25
	Moderate	1	1.25	1.5
	Heavy	1.25	1.5	1.75
Intermittent application with start / hour > 10	Uniform	1.25	1.5	1.75
	Moderate	1.5	1.75	2
	Heavy	1.75	2	2.25

D Motor flange available

B) Mounting with reduction ring	
C) Motor flangeholes position/terminal box position	
B) Available without reduction bushes	

A	Select required torque (according to service factor)
B	Select output speed
C	On the same line of selected geared motor, you can find the gear ratio
D	Select motor flange available (if requested)



QUICK SELECTION

input speed (n_1) = 1400 min⁻¹

Output Speed n_2 [min ⁻¹]	Ratio i	Motor power P_{1M} [kW]	Output torque M_{2M} [Nm]	Service factor f.s.	Nominal power P_{1R} [kW]	Nominal torque M_{2R} [Nm]	B5 motor flanges not available		Available B14 motor flanges		Dynamic efficiency RD	Tooth Module [mm]	Ratios code
							-	-	O	P			
280	5	0.18	5	3.3	0.60	17	-	-	B-C	63	82	1.26	09
200	7	0.18	7	2.4	0.44	17	-	-	B-C	63	80	1.44	01
140	10	0.18	10	1.8	0.32	17	-	-	B-C	63	78	1.44	02
93	15	0.18	13	1.4	0.25	19	-	-	B-C	63	73	1.44	03
70	20	0.18	17	1.1	0.20	19	-	-	B-C	63	70	1.09	04
47	30	0.12	15	1.4	0.17	21	-	-	B-C	63	62	1.44	05
35	40	0.12	19	1.1	0.13	20	-	-	B-C	63	57	1.09	06
23	61	0.09	19	1.1	0.10	20	-	-	B-C	63	50	0.72	07
17.5	80	0.09	16	1.0	0.06	16	-	-	B-C	63	48	0.56	08

* The nominal power should be reduced if the ambient temperature is $\geq 30^\circ\text{C}$, or when a cooler gearbox is required.

■ Motor Flanges Available B) Supplied with Reduction Bushing B) Available on Request without reduction bushing C) Motor Flange Holes Position

EN Unit I30 is supplied with synthetic oil, providing "long life" lubrication. For mounting position V5-V6 please contact us. See table 1 for lubrication and recommended quantity. In table 2 please see possible radial loads and axial loads on the gearbox.

LUBRICATION I30 Oil Quantity 0.10 Lt.

AGIP Telium VSF 320

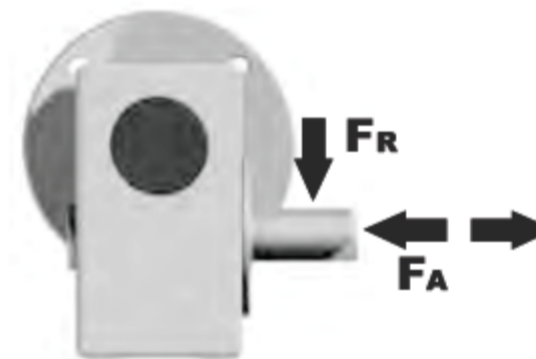
SHELL Omala S4 WE 320

For all details on lubrication and plugs check our website

tab. 1

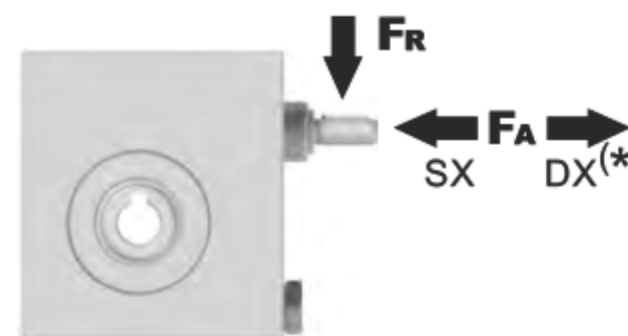
RADIAL AND AXIAL LOADS

Output shaft



n_2 [min ⁻¹]	FA [N]	FR [N]
200	120	600
150	140	700
100	160	800
75	180	900
50	200	1000
25	250	1250
15	280	1400

Input shaft



n_1 [min ⁻¹]	FA [N]	FR [N]
1400	20	100

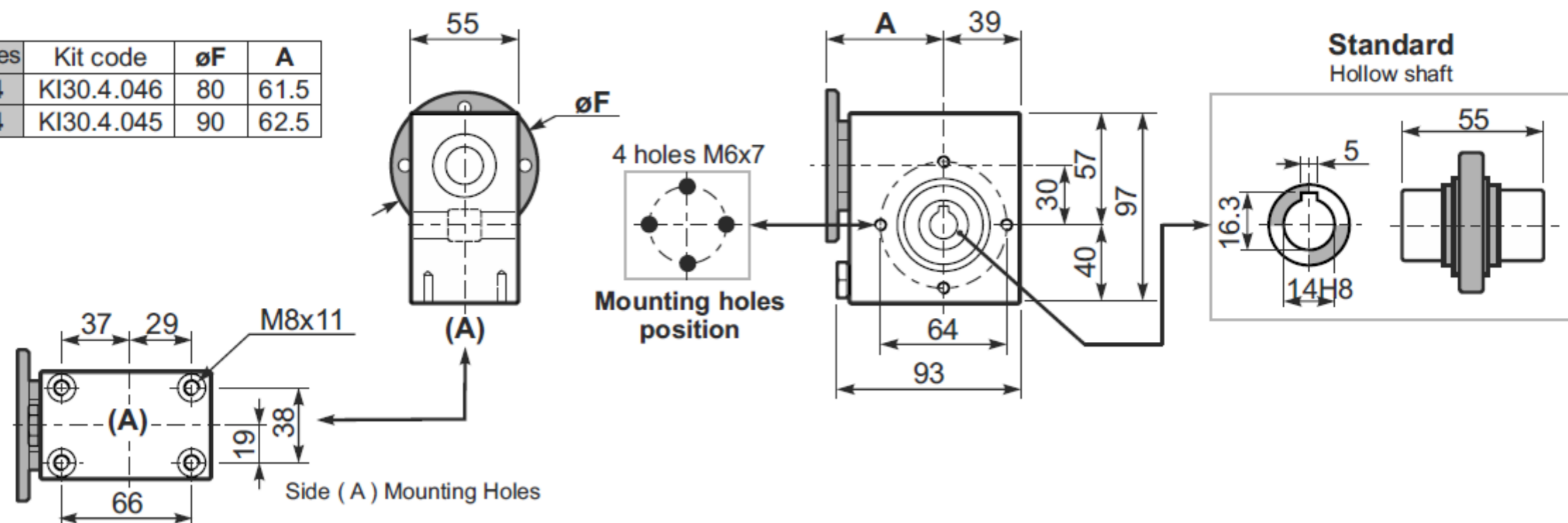
*Strong axial loads in the DX direction are not allowed.

tab. 2

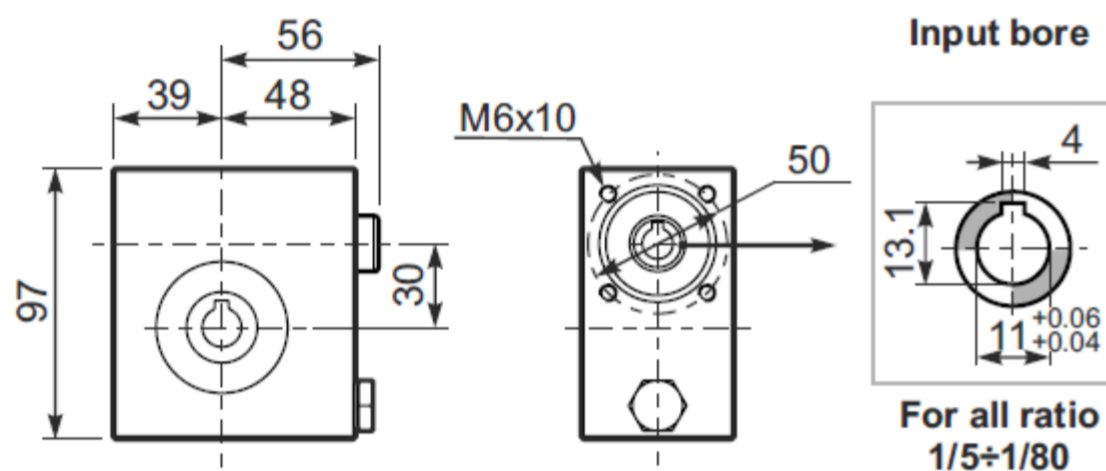
Gearbox weight **2.5 kg**

PI30**UN**... Basic wormbox

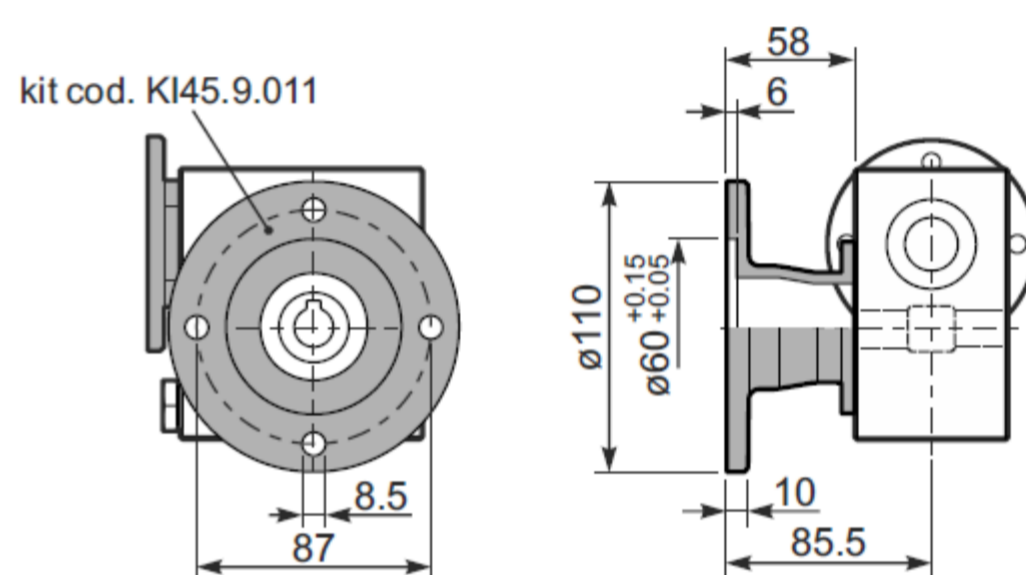
M. flanges	Kit code	øF	A
56B14	KI30.4.046	80	61.5
63B14	KI30.4.045	90	62.5



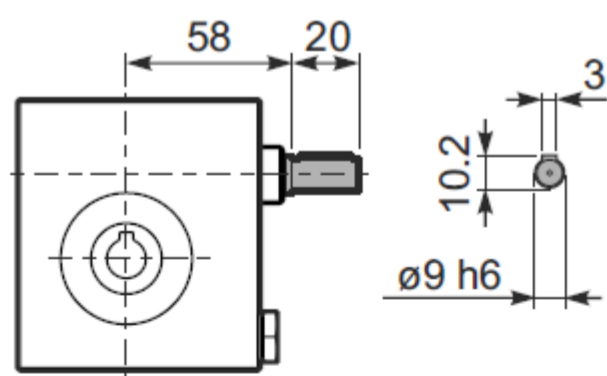
B130UN... Modular base



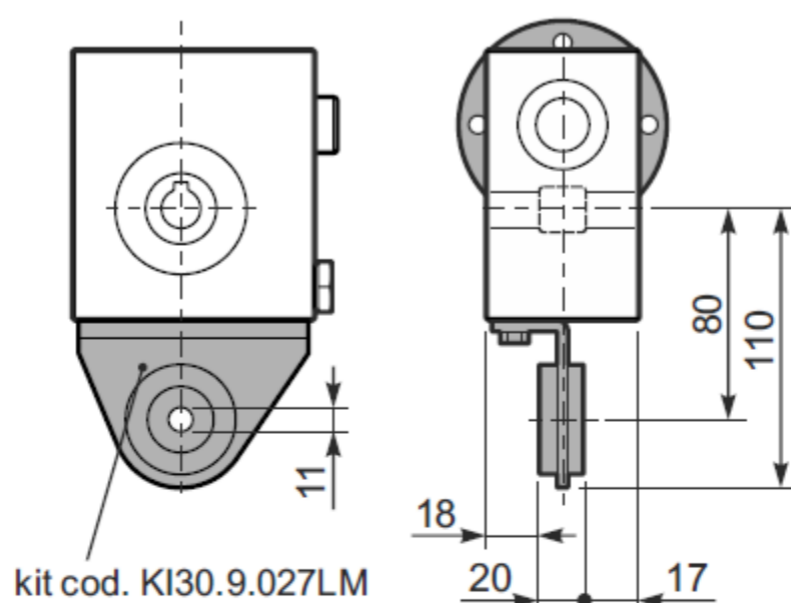
PI30**FL**... Output flange



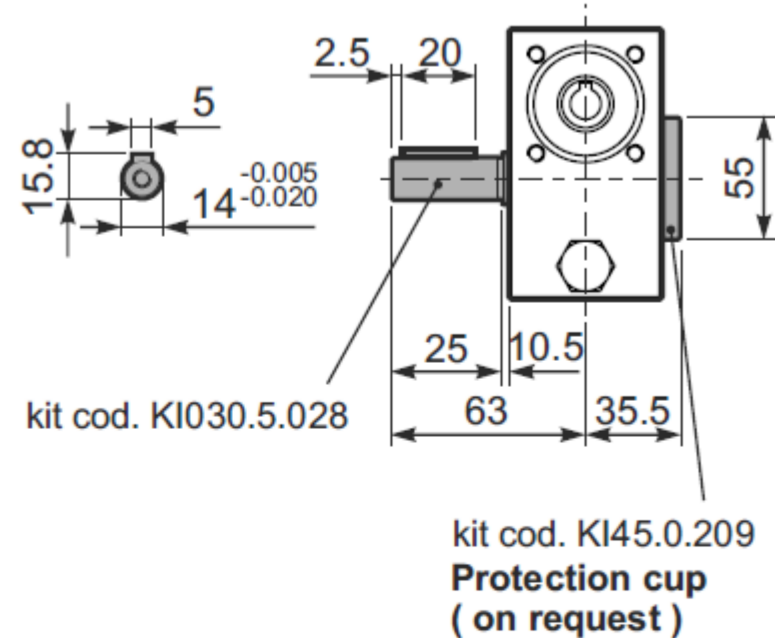
R130UN... Input shaft



PI30**BR**... Reaction arm



PI30...**S**... Single Shaft





QUICK SELECTION

input speed (n_1) = 1400 min⁻¹

Output Speed n_2 [min ⁻¹]	Ratio i	Motor power P_{1M} [kW]	Output torque M_{2M} [Nm]	Service factor f.s.	Nominal power P_{1R} [kW]	Nominal torque M_{2R} [Nm]	B5 motor flanges not available		Available B14 motor flanges		Dynamic efficiency RD	Tooth Module [mm]	Ratios code
							-	-	P	Q			
200	7	0.37	14	2.2	0.80	30	-	-	B-C	71	80	2.2	01
140	10	0.37	20	1.5	0.57	30	-	-	B-C	71	79	2.2	02
100	14	0.37	27	1.1	0.41	30	-	-	B-C	71	77	2.4	03
67	21	0.37	36	1.2	0.43	41	-	-	B-C	71	67	1.6	04
50	28	0.25	31	1.3	0.33	41	-	-	B-C	71	65	2.5	05
38	37	0.25	40	1.0	0.26	41	-	-	B-C	71	63	1.8	06
30	46	0.25	46	0.9	0.22	41	-	-	B-C	71	59	1.5	07
23	60	0.18	41	1.0	0.18	41	-	-	B-C	71	56	1.2	08
20	70	0.12	31	1.0	0.12	30	-	-	B-C	71	54	1.0	09
13.7	102	0.09	31	1.0	0.09	29	-	-	B-C	71	49	0.72	10

* The nominal power should be reduced if the ambient temperature is $\geq 30^\circ\text{C}$, or when a cooler gearbox is required.

 Motor Flanges Available
 B) Supplied with Reduction Bushing
 B) Available on Request without reduction bushing
 C) Motor Flange Holes Position

EN Unit I45 is supplied with synthetic oil, providing "long life" lubrication. For mounting position V5-V6 please contact us. See table 1 for lubrication and recommended quantity. In table 2 please see possible radial loads and axial loads on the gearbox.

LUBRICATION I45 Oil Quantity 0.24 Lt.

AGIP Telium VSF 320

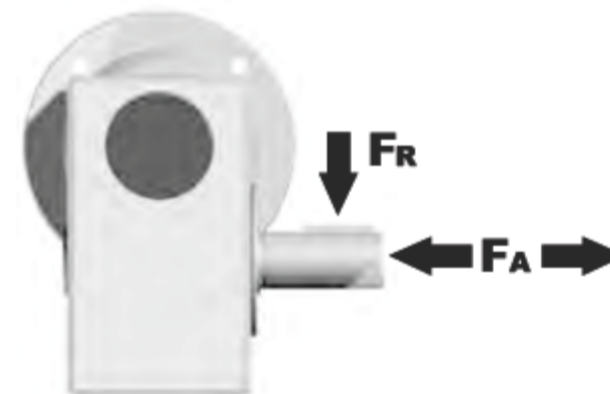
SHELL Omala S4 WE 320

For all details on lubrication and plugs check our website

tab. 1

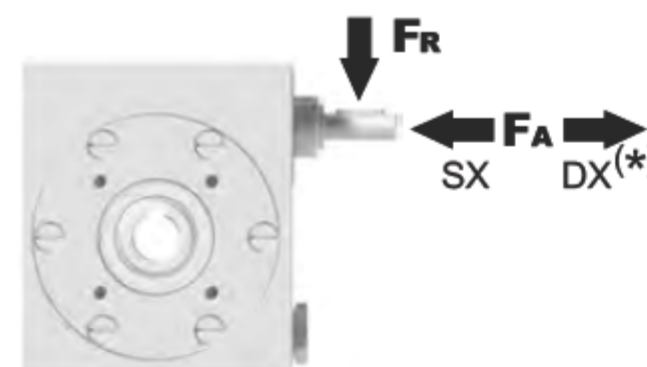
RADIAL AND AXIAL LOADS

Output shaft



n_2 [min ⁻¹]	FA [N]	FR [N]
200	180	900
150	200	1000
100	220	1100
75	240	1200
50	260	1400
25	300	1800
15	400	2000

Input shaft



n_1 [min ⁻¹]	FA [N]	FR [N]
1400	42	210

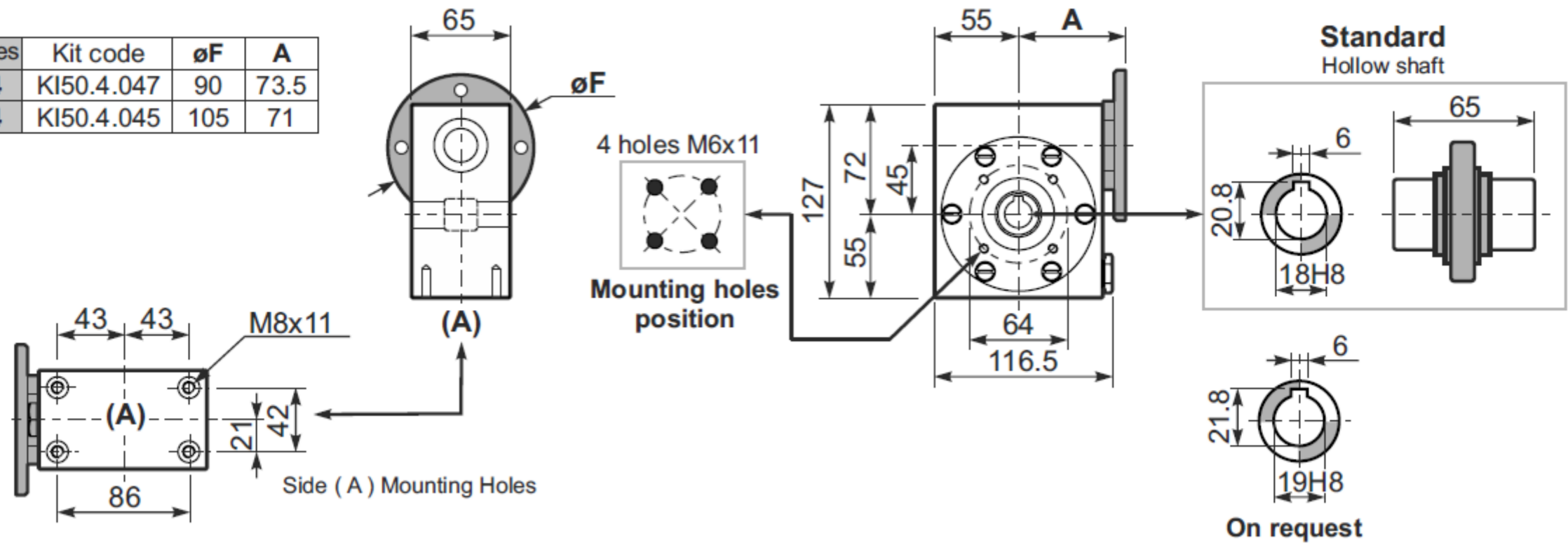
*Strong axial loads in the DX direction are not allowed.

tab. 2

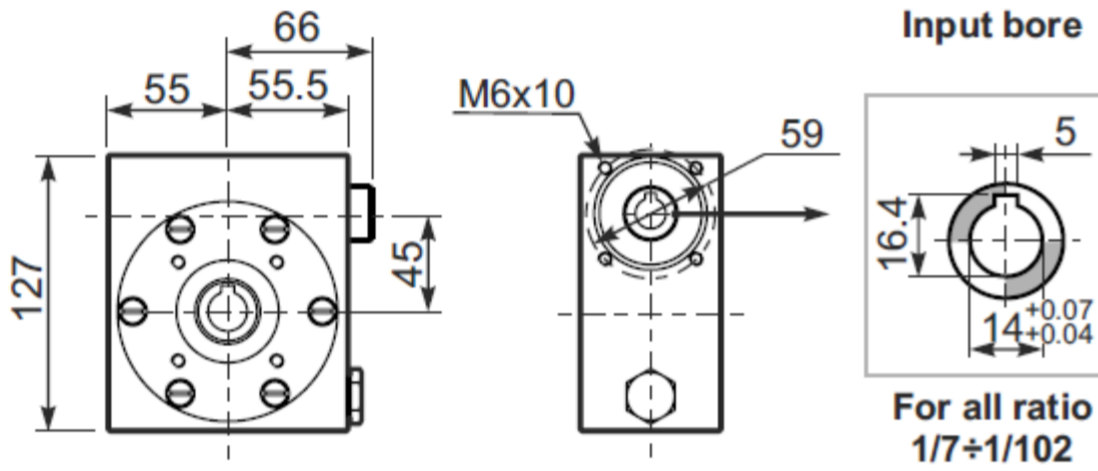
Gearbox weight **5.0 kg**

PI45**UN**... Basic wormbox

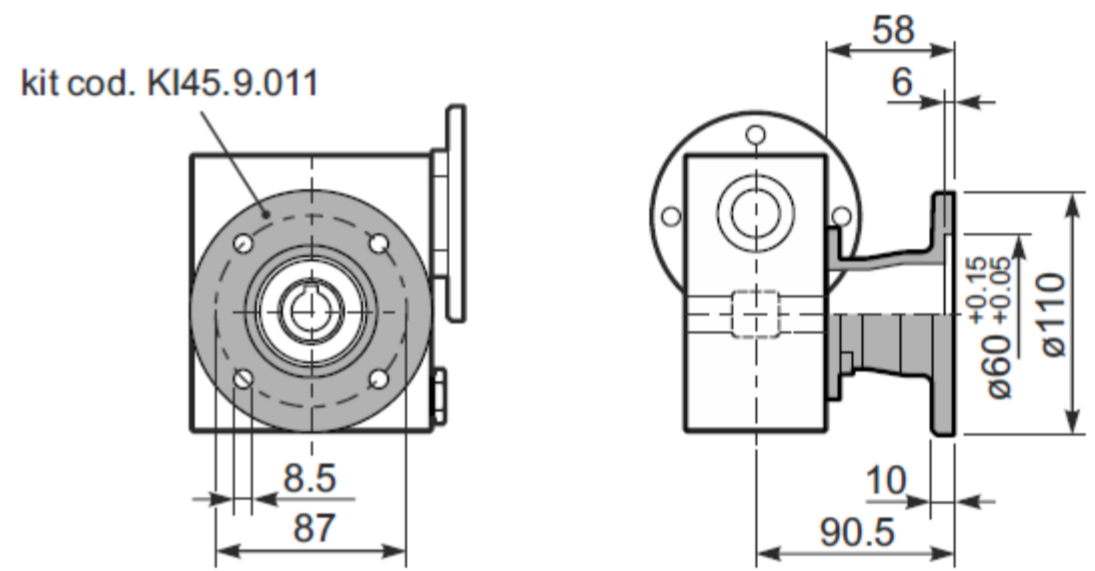
M. flanges	Kit code	øF	A
63B14	KI50.4.047	90	73.5
71B14	KI50.4.045	105	71



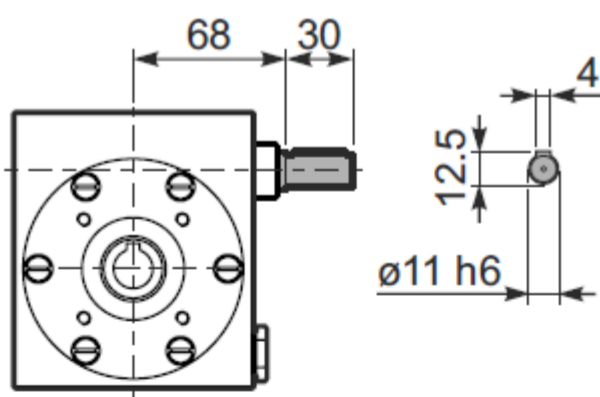
BI45UN... Modular base



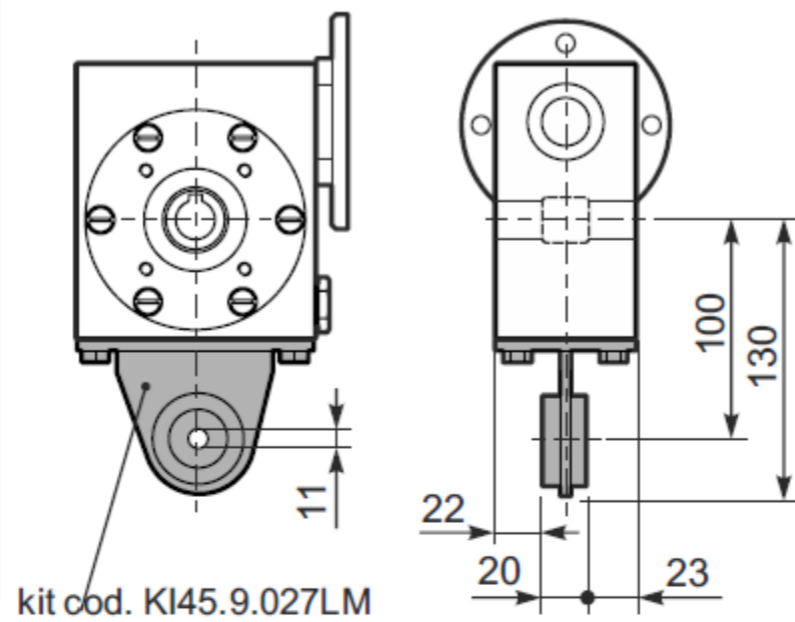
PI45FL... Output flange



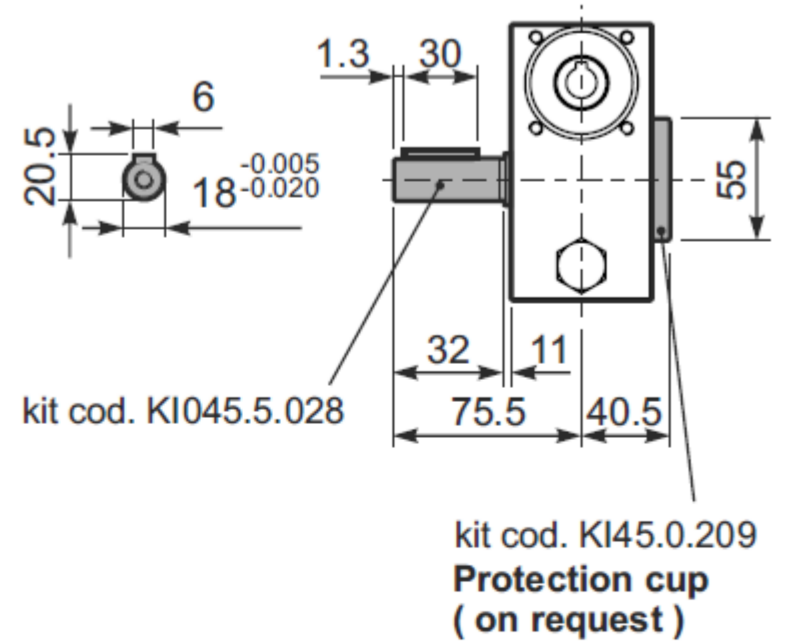
RI45UN... Input shaft



PI45BR... Reaction arm



PI45....S... Single Shaft





QUICK SELECTION

input speed (n_1) = 1400 min⁻¹

Output Speed n_2 [min ⁻¹]	Ratio i	Motor power P_{1M} [kW]	Output torque M_{2M} [Nm]	Service factor f.s.	Nominal power P_{1R} [kW]	Nominal torque M_{2R} [Nm]	B5 motor flanges not available		Available B14 motor flanges			Dynamic efficiency RD	Tooth Module [mm]	Ratios code
							-	-	P	Q	R			
200	7	0.75	29	1.9	1.5	57	-	-	B-C	B		82	2.5	01
140	10	0.75	41	1.5	1.1	62	-	-	B-C	B		80	2.4	02
100	14	0.75	57	1.2	0.90	68	-	-	B-C	B		79	2.6	03
78	18	0.55	51	1.2	0.67	62	-	-	B-C	B		75	2.0	04
54	26	0.55	67	1.0	0.54	66	-	-	B-C	B		69	2.7	05
47	30	0.55	79	0.9	0.50	72	-	-	B-C	B		70	2.5	12
39	36	0.37	63	1.2	0.43	72	-	-	B-C			69	2.1	06
33	43	0.37	72	1.0	0.35	68	-	-	B-C			66	1.8	07
23	60	0.25	59	1.0	0.26	62	-	-	B-C			58	1.3	08
21	68	0.25	66	0.9	0.22	58	-	-	B-C			57	1.2	09
17.5	80	0.18	53	1.1	0.19	57	-	-	B-C			54	1.0	10
14	100	0.12	41	1.3	0.15	51	-	-	B-C			50	0.8	11

* The nominal power should be reduced if the ambient temperature is $\geq 30^\circ\text{C}$, or when a cooler gearbox is required.

 Motor Flanges Available
 B) Supplied with Reduction Bushing
 B) Available on Request without reduction bushing
 C) Motor Flange Holes Position

EN Unit I50 is supplied with synthetic oil, providing "long life" lubrication. For mounting position V5-V6 please contact us. See table 1 for lubrication and recommended quantity. In table 2 please see possible radial loads and axial loads on the gearbox.

LUBRICATION I50 Oil Quantity 0.38 Lt

AGIP Telium VSF 320

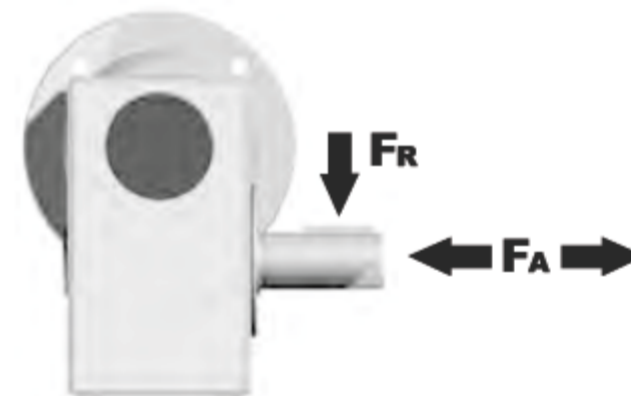
SHELL Omala S4 WE 320

For all details on lubrication and plugs check our website

tab. 1

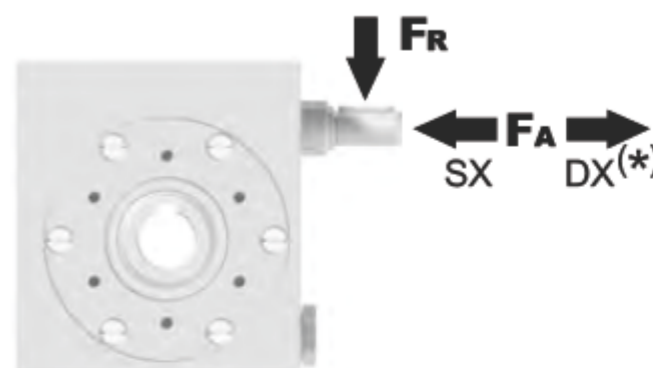
RADIAL AND AXIAL LOADS

Output shaft



n_2 [min ⁻¹]	FA [N]	FR [N]
200	240	1200
150	280	1400
100	300	1500
75	340	1700
50	380	1900
25	480	2500
15	560	2800

Input shaft



n_1 [min ⁻¹]	FA [N]	FR [N]
1400	76	380

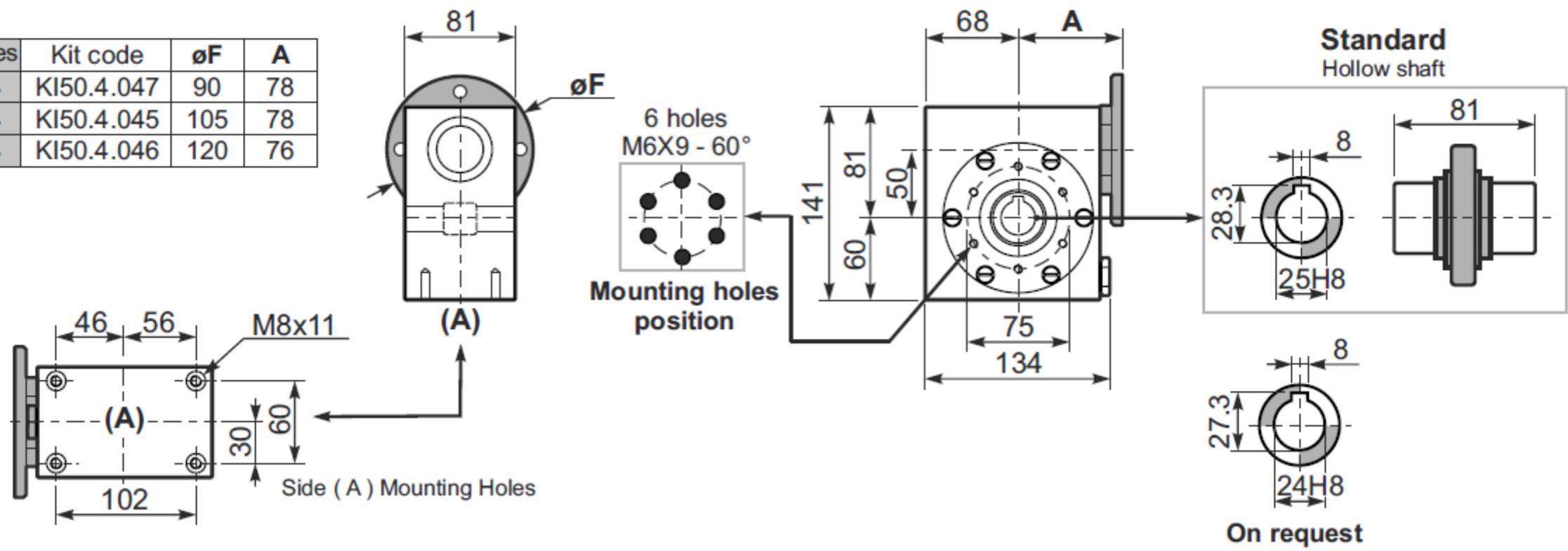
*Strong axial loads in the DX direction are not allowed.

tab. 2

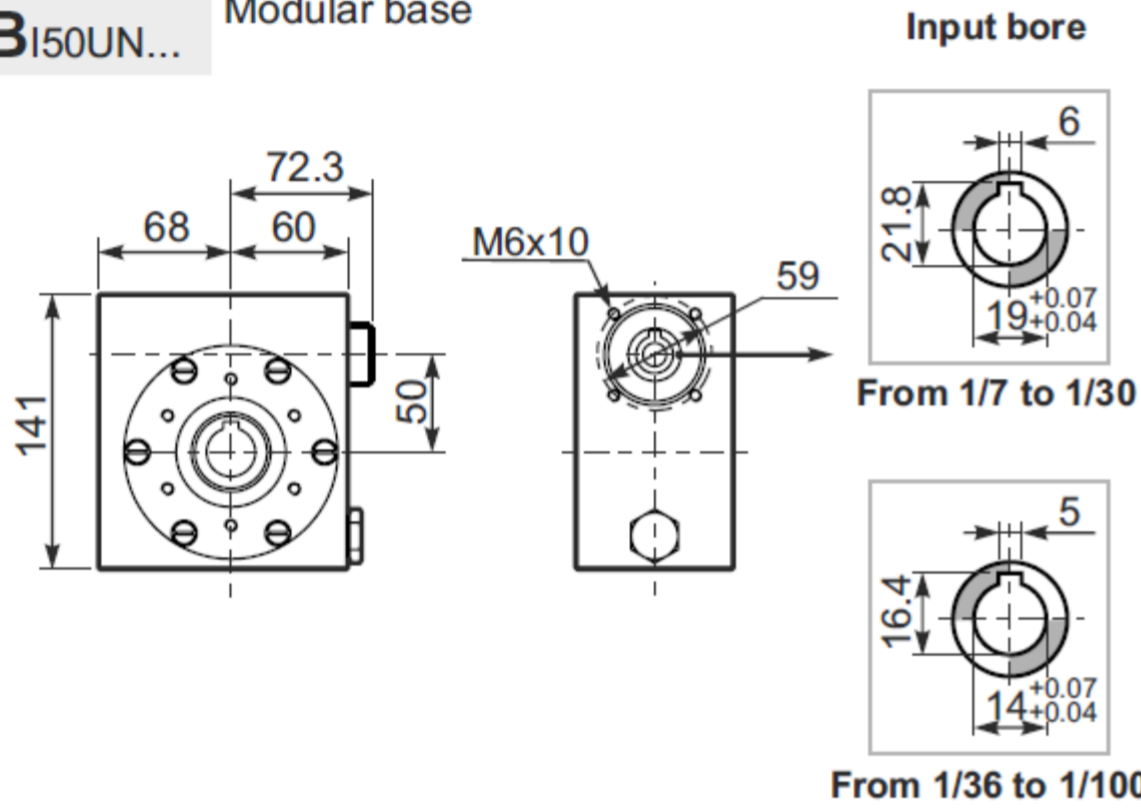
Gearbox weight **7.3 kg**

PI50UN... Basic wormbox

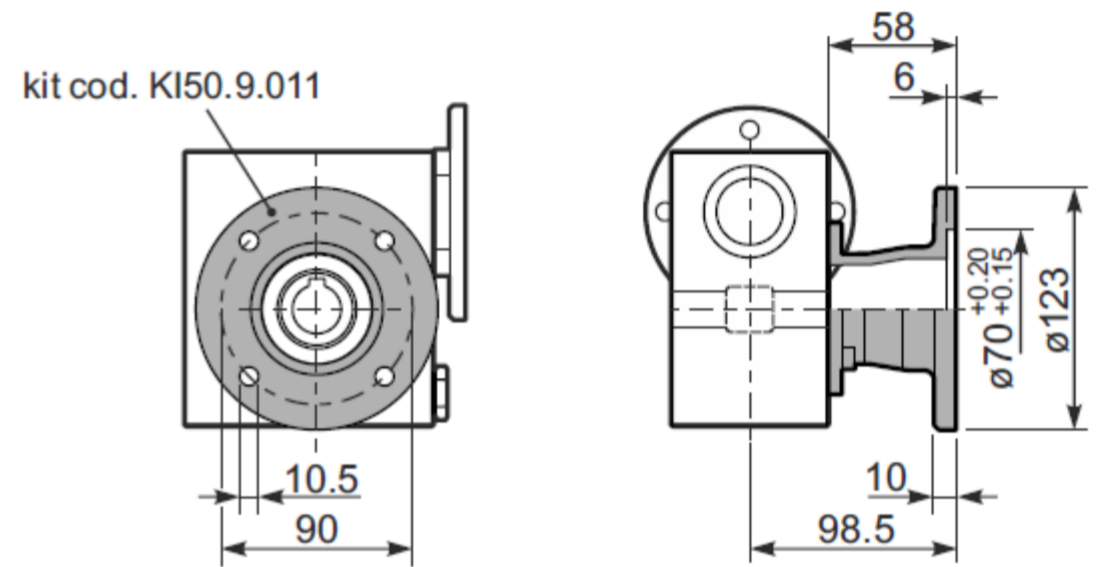
M. flanges	Kit code	øF	A
63B14	KI50.4.047	90	78
71B14	KI50.4.045	105	78
80B14	KI50.4.046	120	76



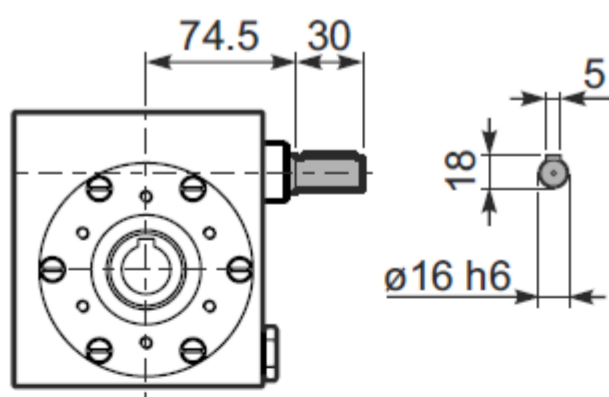
B150UN... Modular base



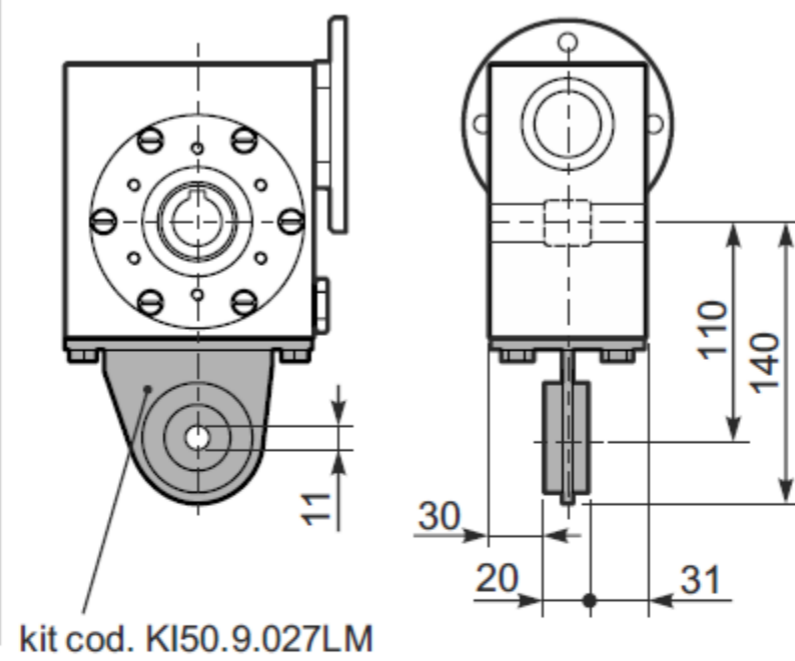
PI50FL... Output flange



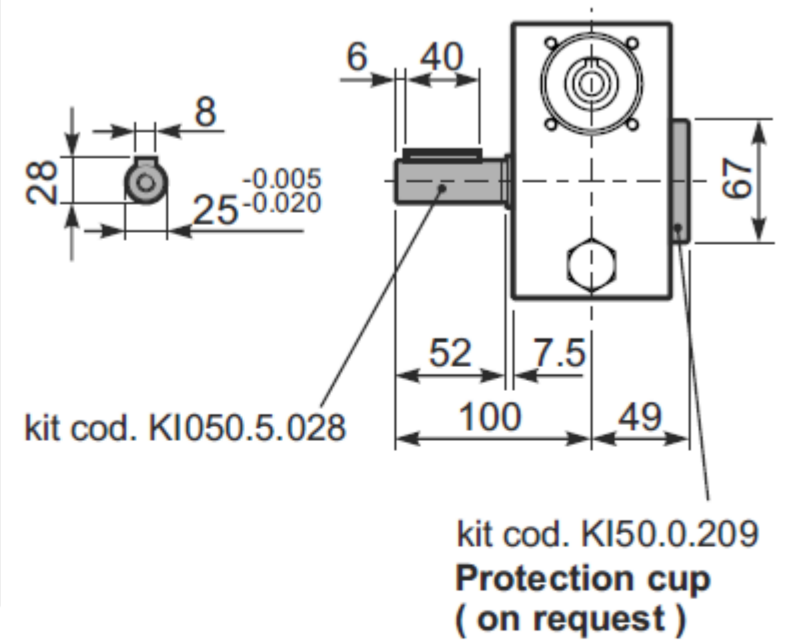
R150UN... Input shaft



PI50BR... Reaction arm



PI50....S... Single Shaft





QUICK SELECTION

input speed (n_1) = 1400 min⁻¹

Output Speed n_2 [min ⁻¹]	Ratio i	Motor power P_{1M} [kW]	Output torque M_{2M} [Nm]	Service factor f.s.	Nominal power P_{1R} [kW]	Nominal torque M_{2R} [Nm]	B5 motor flanges not available		Available B14 motor flanges			Dynamic efficiency RD	Tooth Module [mm]	Ratios code
							-	-	Q	R	T			
							-	-	71	80	90			
200	7	1.8	71	1.8	3.2	125			B-C	B-C		83	3.1	01
140	10	1.8	99	1.4	2.4	134			B-C	B-C		81	3.1	02
93	15	1.5	121	1.1	1.7	138			B-C	B-C		79	3.1	03
74	19	1.1	111	1.2	1.4	138			B-C	B-C		78	2.6	04
58	24	1.1	135	1.0	1.2	142			B-C	B-C		75	2.0	05
47	30	1.1	167	0.9	0.96	146			B-C	B-C		74	3.2	06
39	36	0.75	125	1.2	0.88	147			B-C	B-C		68	2.7	07
31	45	0.55	111	1.2	0.67	135			B-C	C		66	2.1	08
21	67	0.55	151	0.8	0.45	124			B-C	C		60	1.5	09
17.5	80	0.37	115	1.0	0.38	119			B-C	C		57	1.3	10
14.9	94	0.37	123	1.0	0.36	119			B-C	C		52	1.1	11

* The nominal power should be reduced if the ambient temperature is $\geq 30^\circ\text{C}$, or when a cooler gearbox is required.

Motor Flanges Available
 B) Supplied with Reduction Bushing
 B) Available on Request without reduction bushing
 C) Motor Flange Holes Position

EN Unit I63 is supplied with synthetic oil, providing "long life" lubrication. For mounting position V5-V6 please contact us. See table 1 for lubrication and recommended quantity. In table 2 please see possible radial loads and axial loads on the gearbox.

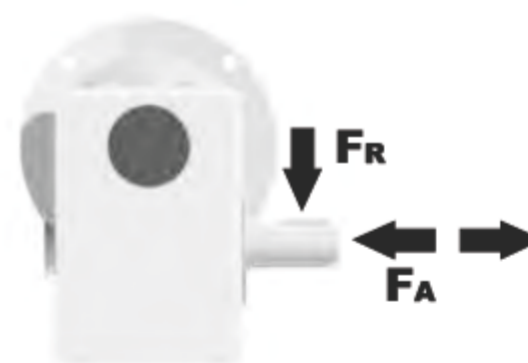
Standard			On request		
B3	B6	B7	B8	V5	V6
0.98 LT	0.69 LT	0.69 LT	0.98 LT	0.98 LT	0.98 LT
AGIP Telium VSF 320			SHELL Omala S4 WE 320		

For all details on lubrication and plugs check our website

tab. 1

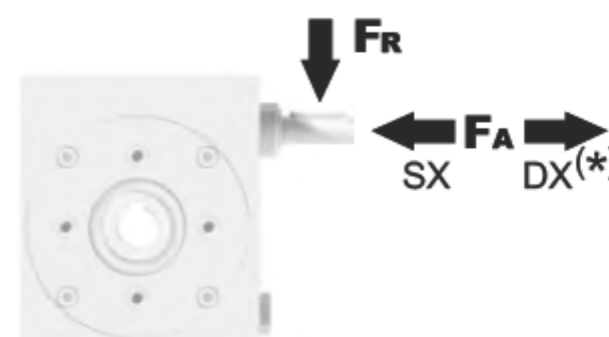
RADIAL AND AXIAL LOADS

Output shaft



n_2	FA	FR
200	360	1800
150	400	2000
100	460	2300
75	500	2500
50	600	3000
25	700	3800
15	800	4000

Input shaft



n_1 [min ⁻¹]	FA [N]	FR [N]
1400	90	450

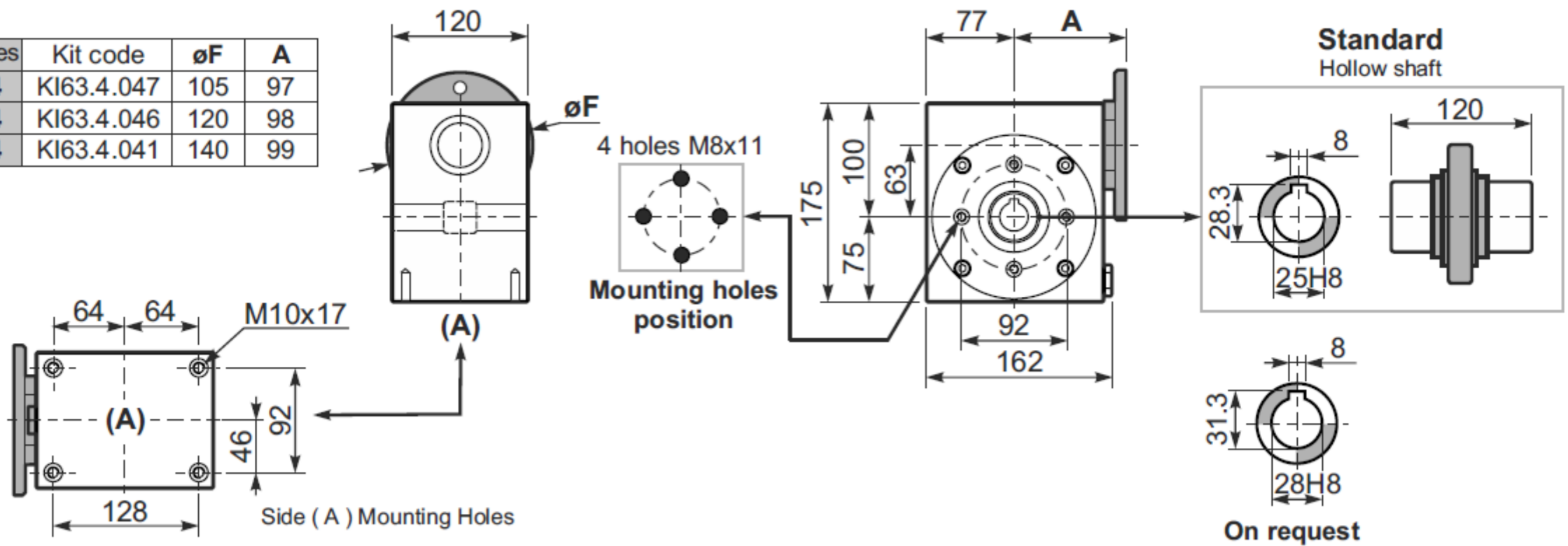
*Strong axial loads in the DX direction are not allowed.

tab. 2

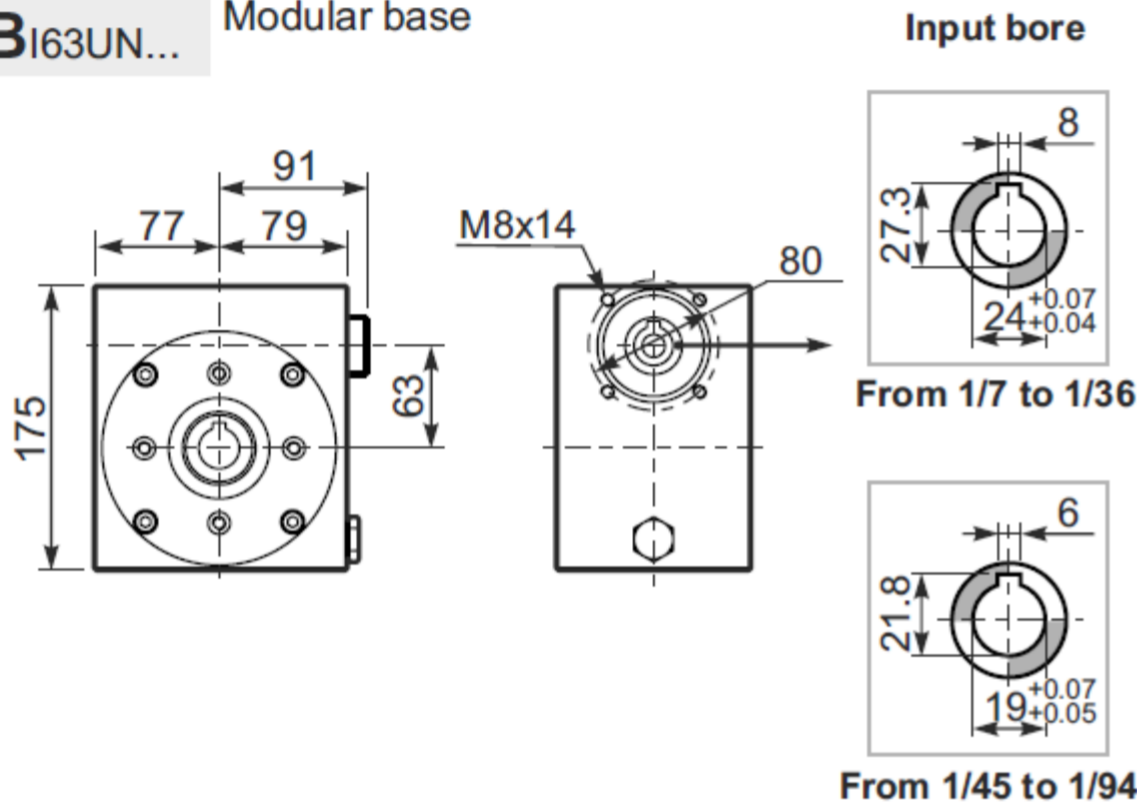
Gearbox weight **14.6 kg**

PI63UN... Basic wormbox

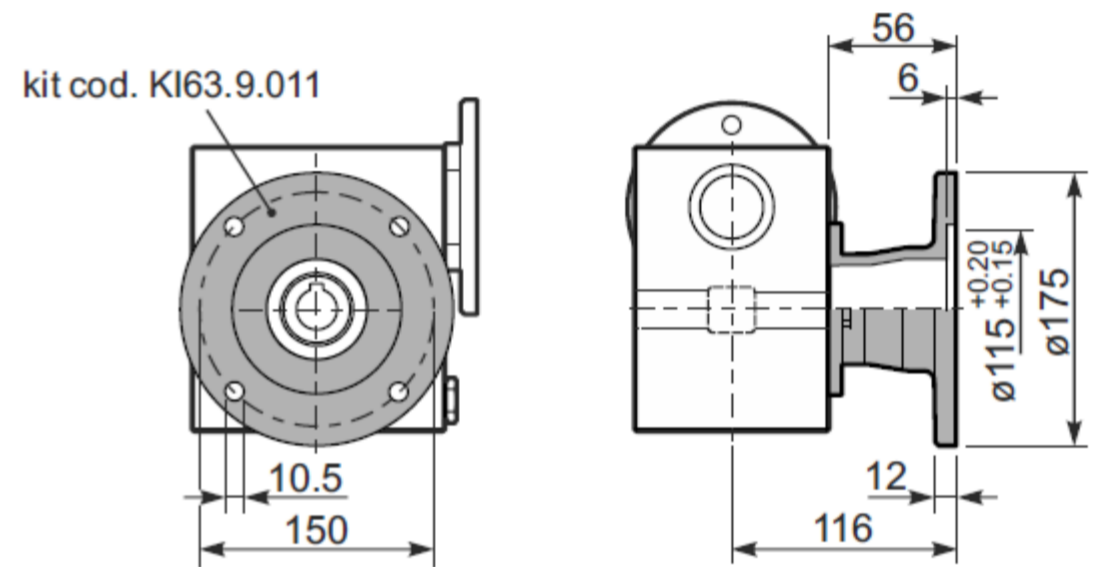
M. flanges	Kit code	øF	A
71B14	KI63.4.047	105	97
80B14	KI63.4.046	120	98
90B14	KI63.4.041	140	99



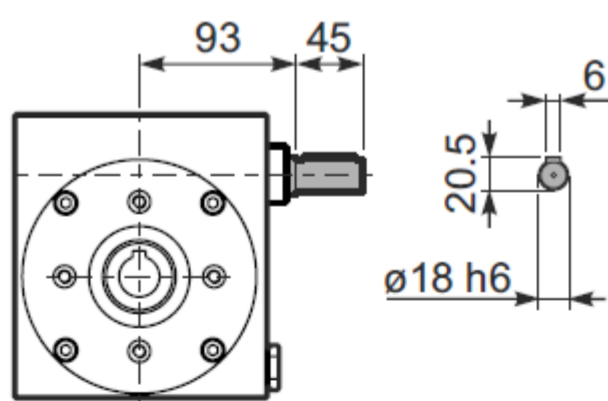
BI63UN... Modular base



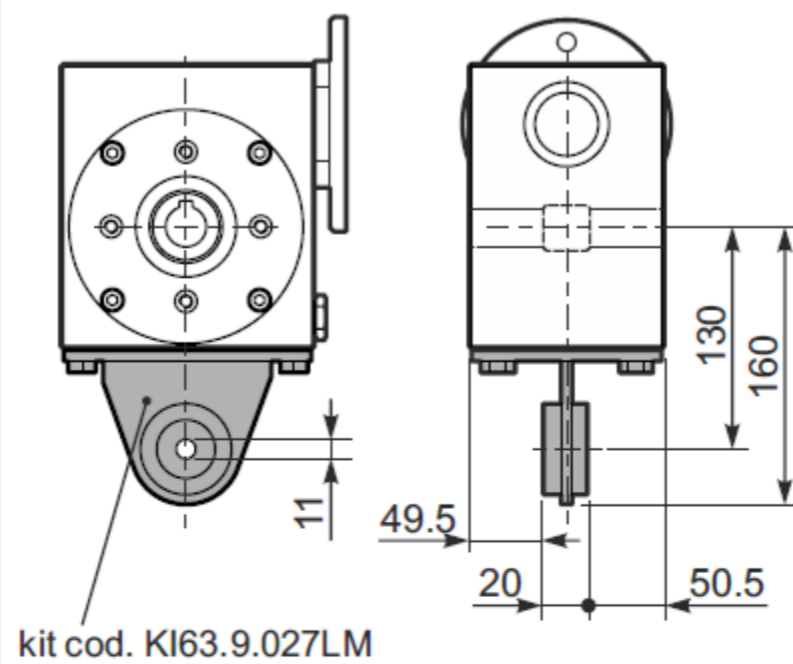
PI63FL... Output flange



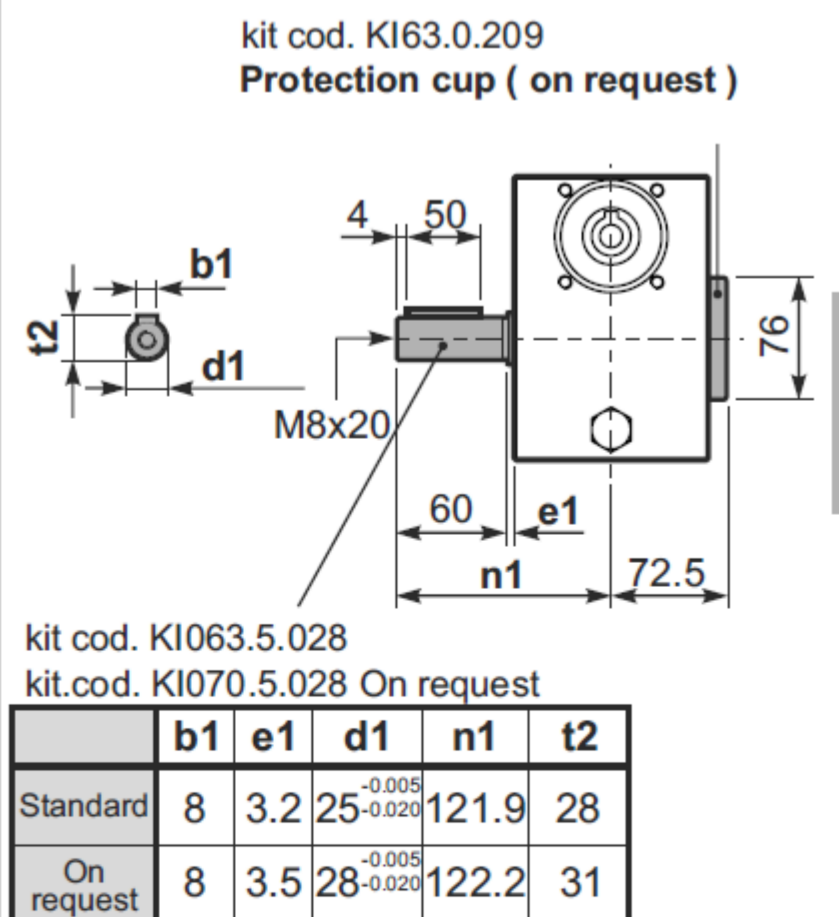
RI63UN... Input shaft



PI63BR... Reaction arm



PI63....S... Single Shaft





QUICK SELECTION

input speed (n_1) = 1400 min⁻¹

Output Speed n_2 [min ⁻¹]	Ratio i	Motor power P_{1M} [kW]	Output torque M_{2M} [Nm]	Service factor f.s.	Nominal power P_{1R} [kW]	Nominal torque M_{2R} [Nm]	Available B5 motor flanges		Available B14 motor flanges	Dynamic efficiency RD	Tooth Module [mm]	 Ratios code
							D	E	U			
							80	90	100-112			
200	7	4.0	168	1.5	6.1	257	B	B		88	4.23	01
140	10	4.0	218	1.3	5.2	284	B	B		80	4.2	02
100	14	3.0	223	1.4	4.1	305	B	B		78	4.5	03
70	20	2.2	237	1.2	2.7	294	B	B		79	3.4	04
64	22	2.2	258	1.1	2.5	294	B	B		78	3.1	05
50	28	2.2	315	1.1	2.4	347	B	B		75	4.7	06
37	38	1.5	276	1.2	1.8	336	B			71	3.5	07
30	46	1.5	320	1.0	1.5	326	B			68	3.1	08
27	52	1.1	258	1.1	1.2	289	B			66	2.7	09
21	67	1.1	327	0.9	0.97	289	B			65	2.1	10
18.9	74	0.75	220	1.2	0.91	268	B			58	1.9	11
14.6	96	0.55	191	1.3	0.70	242	B			53	1.5	12

* The nominal power should be reduced if the ambient temperature is $\geq 30^\circ\text{C}$, or when a cooler gearbox is required.

Motor Flanges Available Supplied with Reduction Bushing Available on Request without reduction bushing Motor Flange Holes Position

EN Unit 185 is supplied with synthetic oil, providing "long life" lubrication. For mounting position V5-V6 please contact us. See table 1 for lubrication and recommended quantity. In table 2 please see possible radial loads and axial loads on the gearbox.

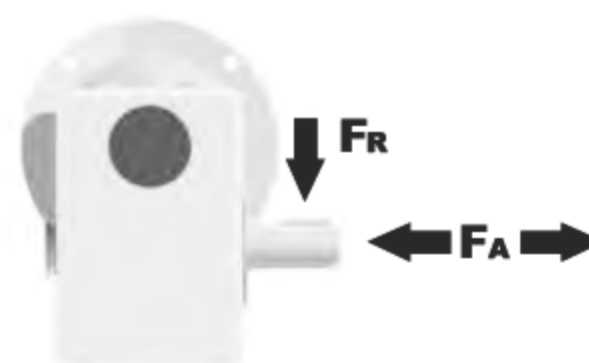
Standard			On request		
B3	B6	B7	B8	V5	V6
2.10 LT	1.50 LT	1.50LT	2.10 LT	2.10 LT	2.10 LT
AGIP Telium VSF 320			SHELL Omala S4 WE 320		

For all details on lubrication and plugs check our website

tab. 1

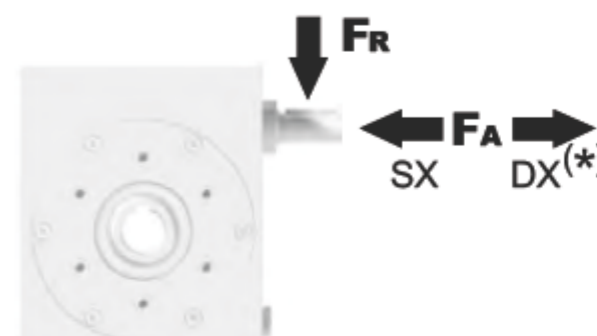
RADIAL AND AXIAL LOADS

Output shaft



n_2 [min ⁻¹]	FA [N]	FR [N]
200	500	2500
150	580	2900
100	600	3000
75	700	3500
50	800	4000
25	1000	5000
15	1160	5800

Input shaft



n_1 [min ⁻¹]	FA [N]	FR [N]
1400	160	809

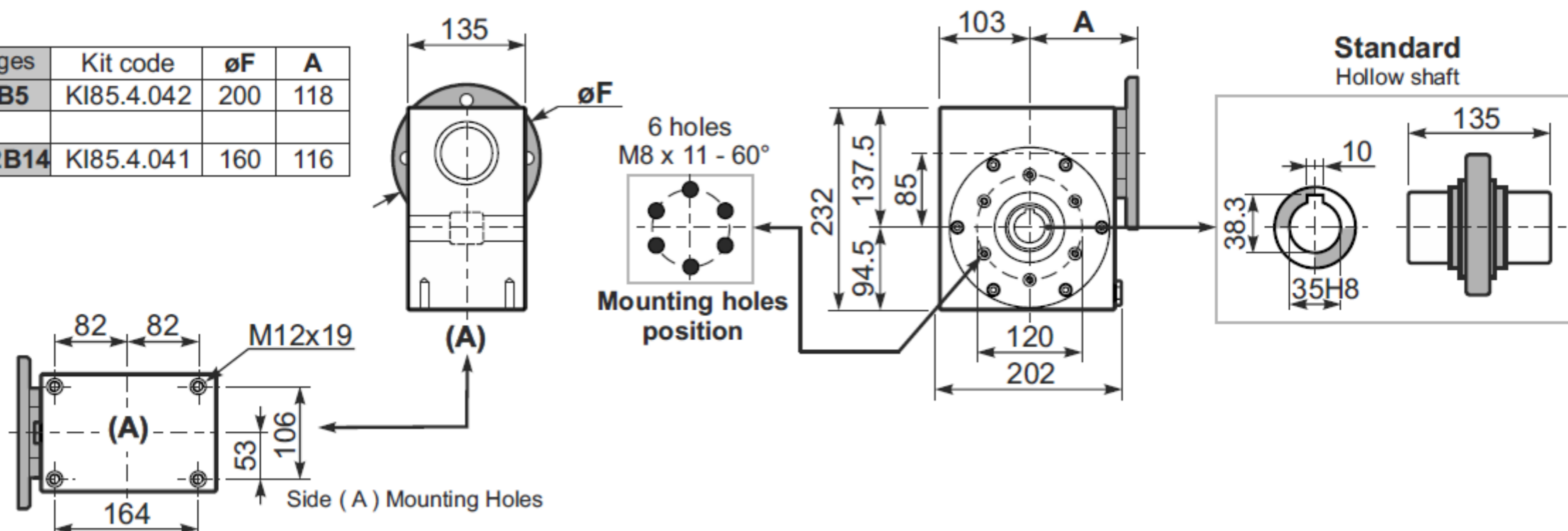
*Strong axial loads in the DX direction are not allowed.

tab. 2

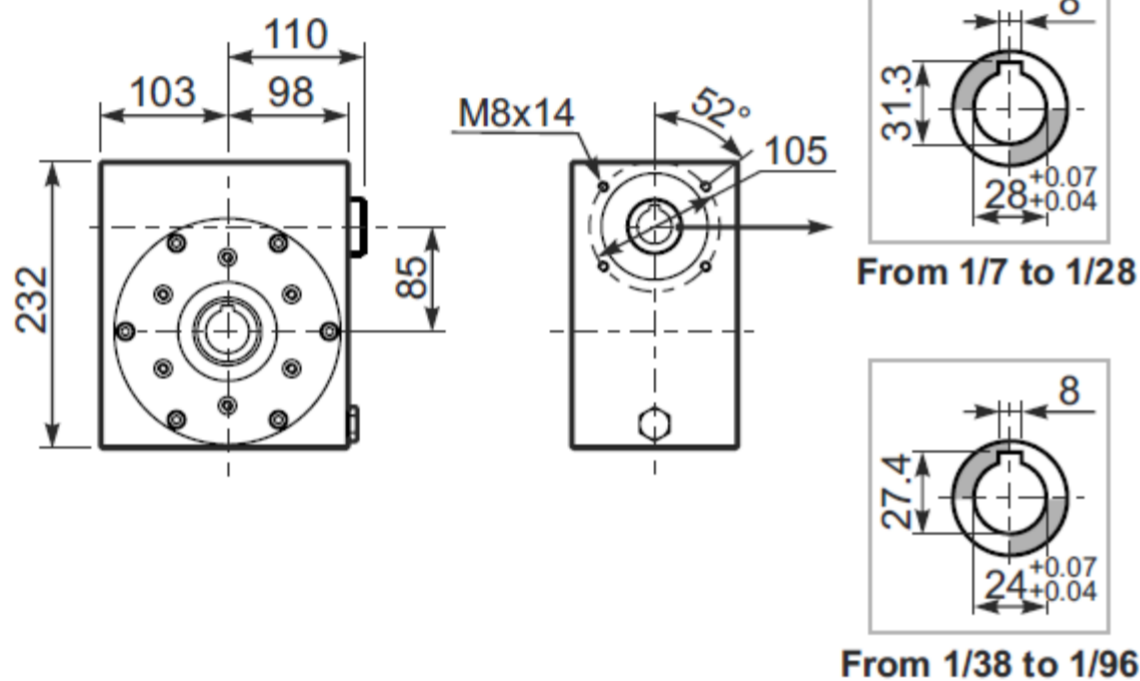
Gearbox weight **23.3 kg**

PI85UN... Basic wormbox

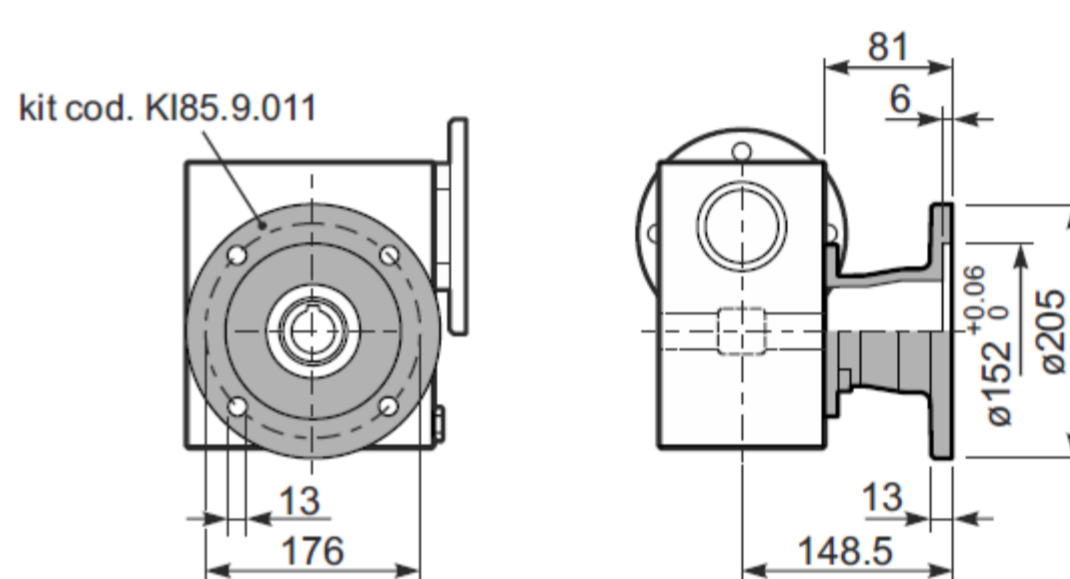
M. flanges	Kit code	øF	A
80-90B5	KI85.4.042	200	118
100-112B14	KI85.4.041	160	116



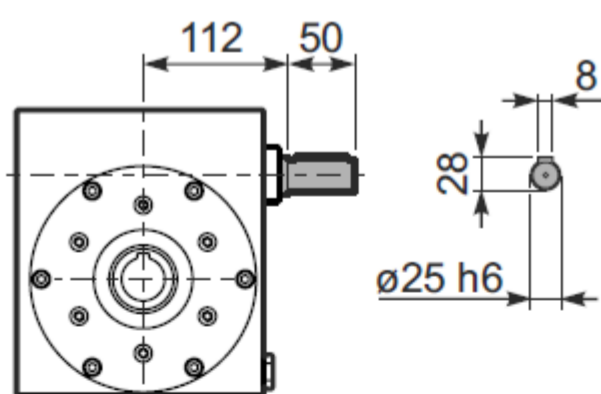
BI85UN... Modular base



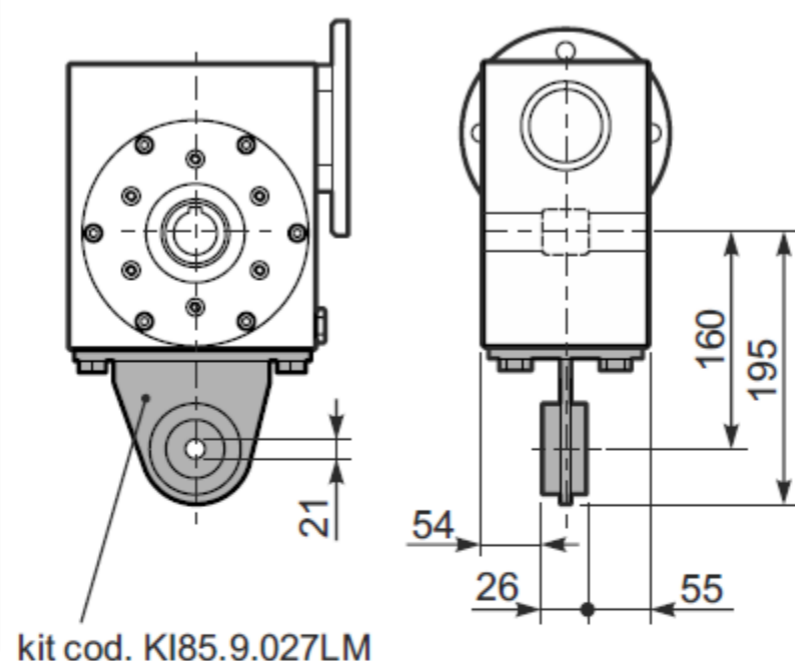
PI85FL... Output flange



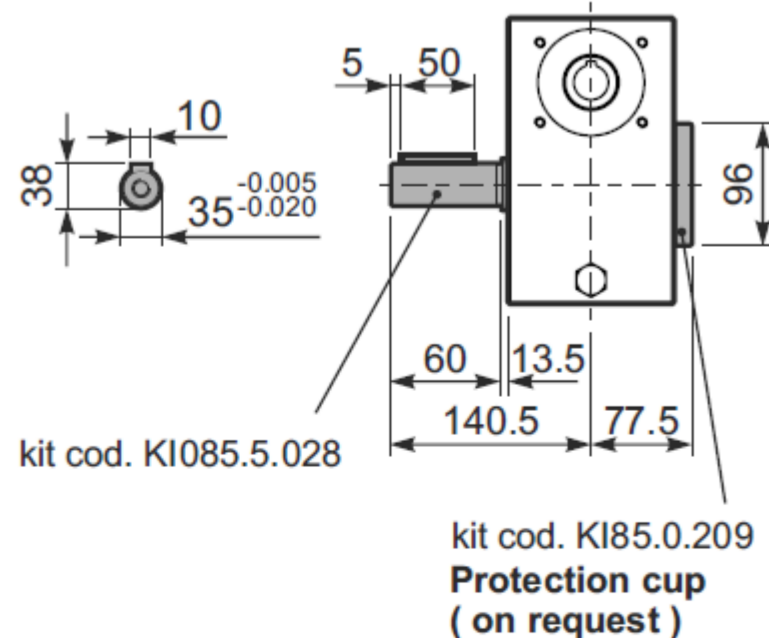
RI85UN... Input shaft



PI85BR... Reaction arm



PI85....S... Single Shaft





QUICK SELECTION

input speed (n_1) = 1400 min⁻¹

Output Speed n_2 [min ⁻¹]	Ratio i	Motor power P_{1M} [kW]	Output torque M_{2M} [Nm]	Service factor f.s.	Nominal power P_{1R} [kW]	Nominal torque M_{2R} [Nm]	Available B5 motor flanges		Available B14 motor flanges	Dynamic efficiency RD	Tooth Module [mm]	Ratios code
							D	E	U			
							80	90	100-112			
200	7	4.0	168	2.9	11.5	483	B	B		88	5.5	01
140	10	4.0	235	2.2	9.0	525	B	B		86	5.4	02
88	16	4.0	358	1.5	6.0	536	B	B		82	5.3	03
70	20	4.0	447	1.2	4.9	546	B	B		82	4.5	04
61	23	3.0	377	1.4	4.1	515	B	B		80	3.9	05
47	30	3.0	467	1.4	4.2	651	B	B		76	5.6	06
37	38	3.0	583	1.1	3.3	641	B	B		75	4.7	07
31	45	2.2	493	1.2	2.7	599	B	B		73	4.0	08
26	53	2.2	557	1.1	2.5	620	B	B		70	3.5	09
22	64	1.5	452	1.2	1.8	536	B			69	2.9	10
16.7	84	1.1	410	1.2	1.3	494	B			65	2.2	11
14.1	99	1.1	446	1.1	1.2	483	B			60	1.9	12

* The nominal power should be reduced if the ambient temperature is $\geq 30^\circ\text{C}$, or when a cooler gearbox is required.

Motor Flanges Available B) Supplied with Reduction Bushing B)

C) Motor Flange Holes Position

EN Unit I11 is supplied with synthetic oil, providing "long life" lubrication. For mounting position V5-V6 please contact us. See table 1 for lubrication and recommended quantity. In table 2 please see possible radial loads and axial loads on the gearbox.

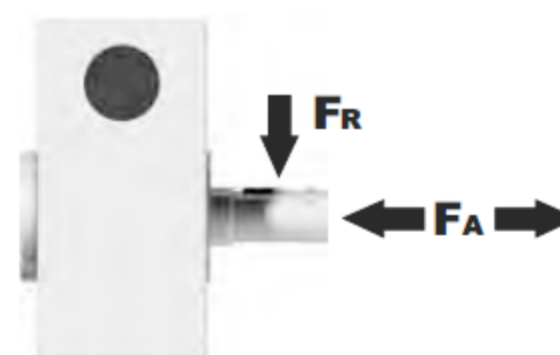
Standard			On request		
B3	B6	B7	B8	V5	V6
3.50 LT	2.50 LT	2.50 LT	2.10 LT	1.60 LT	1.60 LT
AGIP Telium VSF 320			SHELL Omala S4 WE 320		

For all details on lubrication and plugs check our website

tab. 1

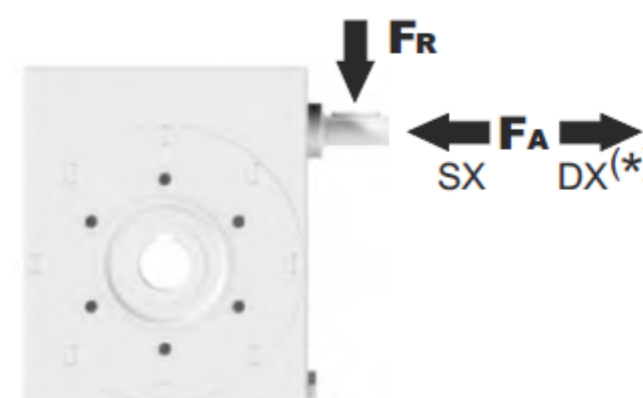
RADIAL AND AXIAL LOADS

Output shaft



n_2 [min ⁻¹]	FA [N]	FR [N]
200	600	2900
150	700	3300
100	750	3600
75	800	4000
50	920	4600
25	1200	6000
15	1400	7000

Input shaft



n_1 [min ⁻¹]	FA [N]	FR [N]
1400	228	1140

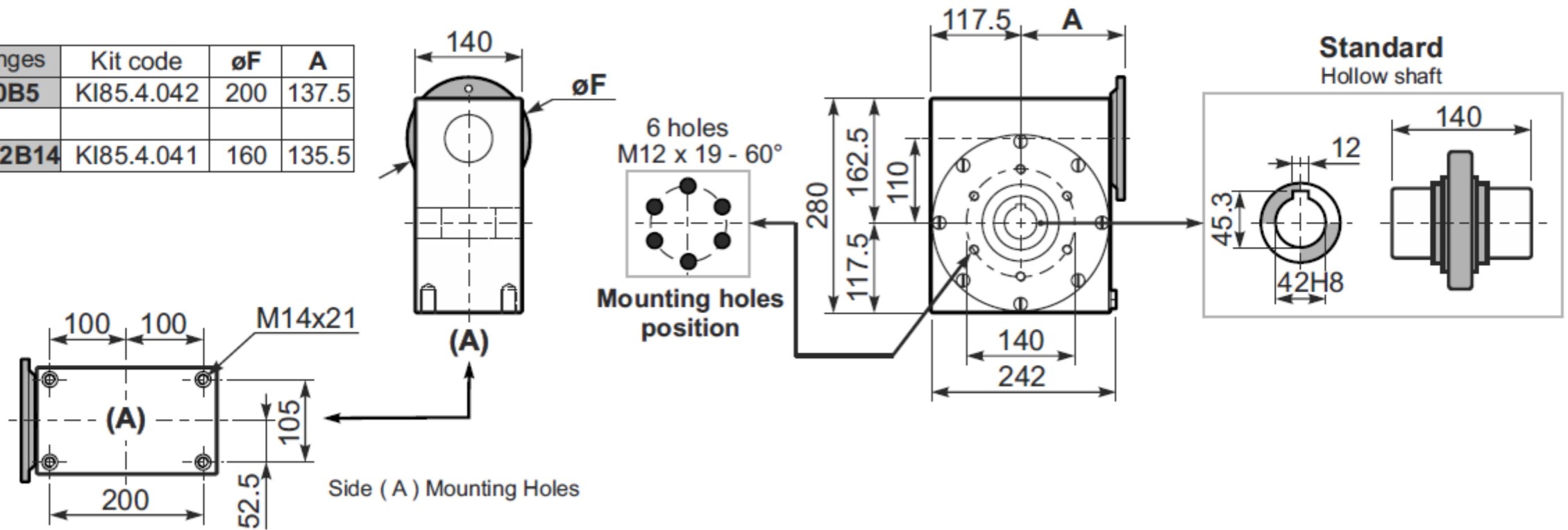
*Strong axial loads in the DX direction are not allowed.

tab. 2

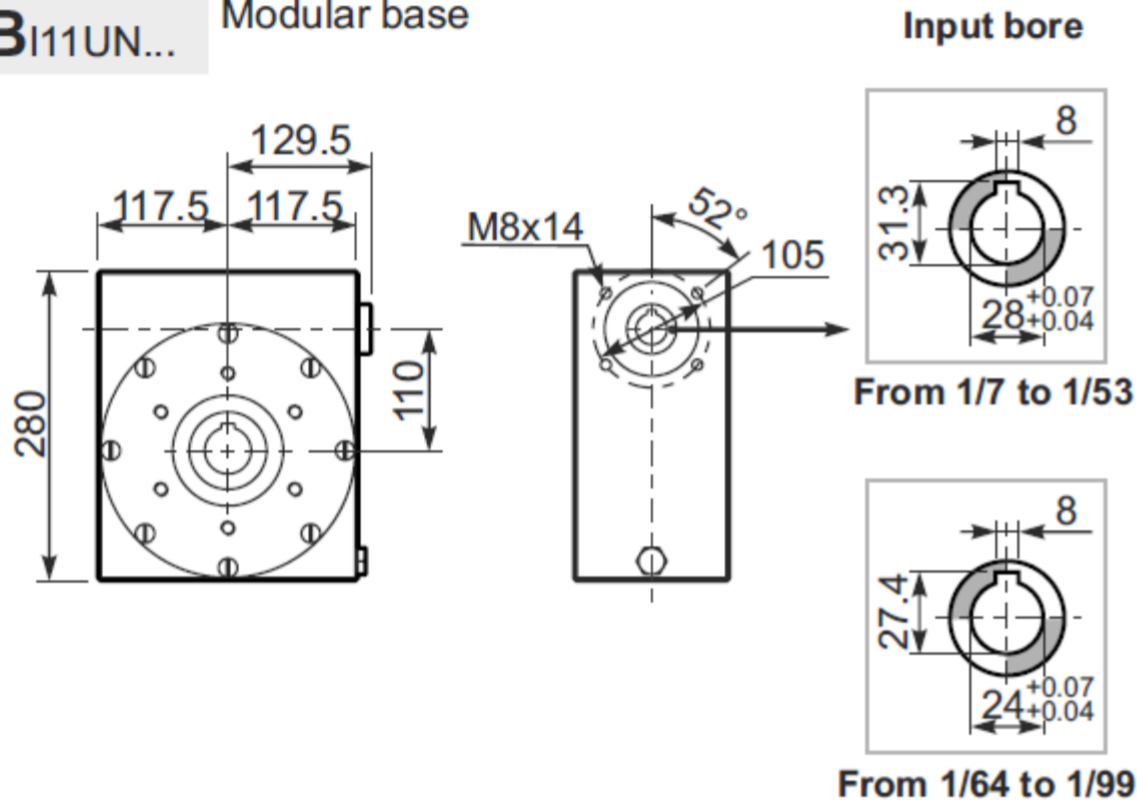
Gearbox weight **38.5 kg**

PI11UN... Basic wormbox

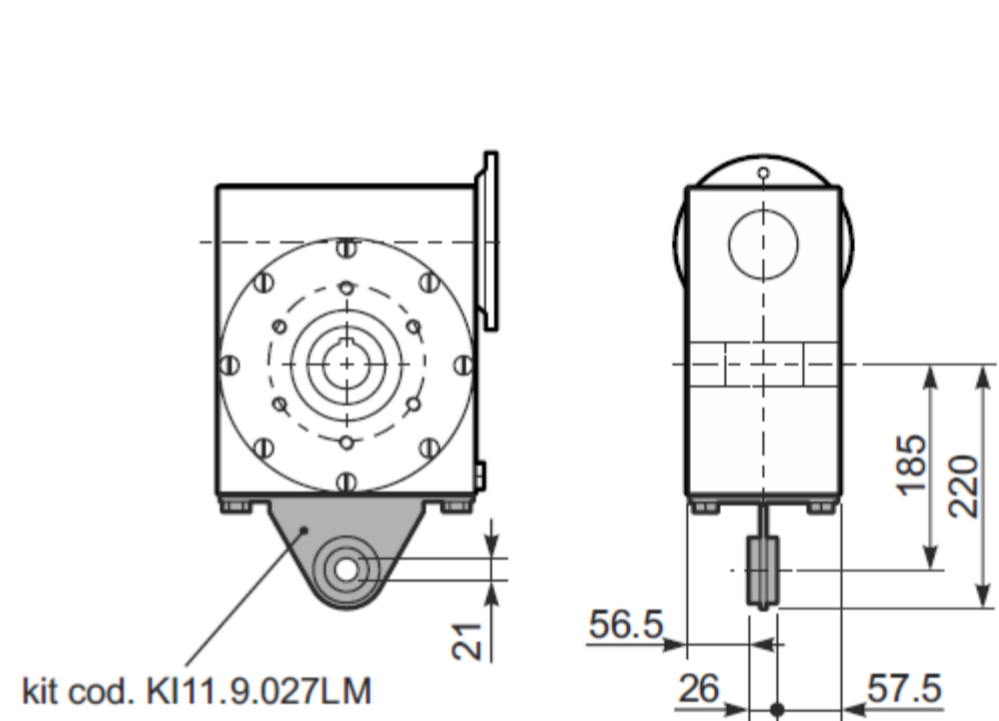
M. flanges	Kit code	øF	A
80-90B5	KI85.4.042	200	137.5
100-112B14	KI85.4.041	160	135.5



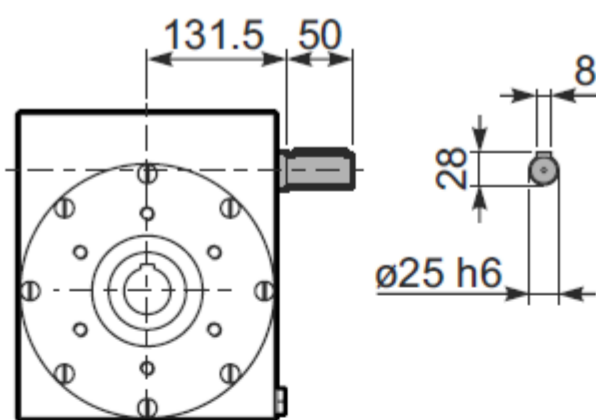
BI11UN... Modular base



PI11BR... Reaction arm



RI11UN... Input shaft





"The Washdown Champion"

Stallion Stainless Steel Electric Motors

Contact Us

Head Office Australia

Address:

TONSON AUSTRALIA
Factory 19, 5 Lyn Parade
Prestons NSW 2170
Australia

Phone:

(02) 9607 4100

Fax:

(02) 9607 4200

Email:

sales@tonson-motor.com.au

Website:

www.tonson-motor.com.au

